

Characteristic: 1. Direct lifting diaphragm construction with high frequency

- Open from 0 bar with large flow rate
- Applied to low pressure system

Medium: Steam and Hot Water, Civil gas, Oil, etc.

Temperature: N-NBR: -5°C to 80°C

E-EPDM: -5°C to 100°C

V-VITON: -5°C to 120°C

Pressure: 0.0Mpa~1.0Mpa

Port Size: 3/8", 1/2", 3/4", 1", 1 1/4", 1 1/2", 2"

Port Thread: BSPP, BSPT, NPT, FLANGE

Orifice(mm): 15, 20, 25, 32, 40, 50

Voltage: DC-12V, 24V

AC-24V, 120V, 240V/60Hz; 110V, 220V/50Hz

Tolerance: ±10%

Coils: Y32B, 40VA(AC), 18W(DC), IP65,100%ED

Y42B, 50VA(AC), 20W(DC), IP65,100%ED

Material: Body- Brass or stainless steel UPVC

Seal- VITON PTFE NBR EPDM

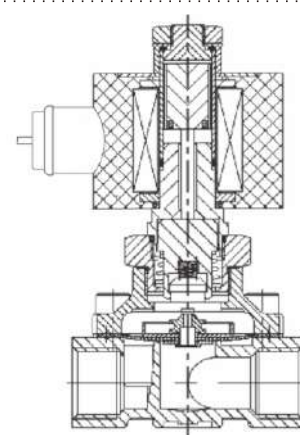
Armature Tube- Stainless Steel304

Plunger- Stainless Steel 430F

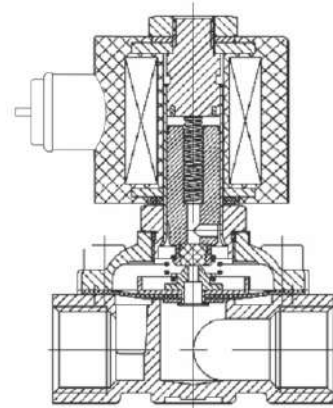
Stop- SS 403F

Springs-SS 304

Shading Rings-Stainless Steel 304



NO



NC



Model	Picture	Voltage	Motor Power	Protection Class	Available For	Outline Size Drawing
Y32B		1.AC220V 2.AC110V 3.AC24V  1.DC24V 2.DC12V 3.DC6V <i>The voltage can be customized</i>	40VA 18W	IP65	DN10 DN15 DN20 DN25	
Y42B		1.AC220V 2.AC110V 3.AC24V  1.DC24V 2.DC12V 3.DC6V <i>The voltage can be customized</i>	50VA 20W	IP65	DN32 DN40 DN50	

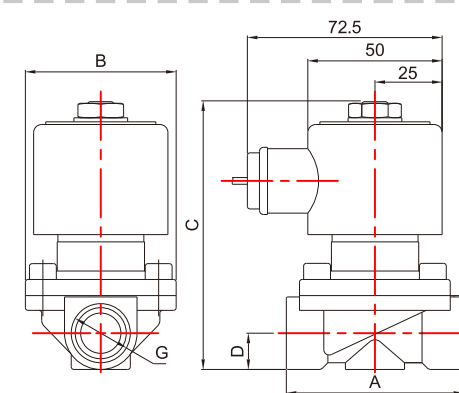
**Determine Valve Body Code**

Type	Orifice mm	Port size	Port thread	Body	Seal	Voltage
2W	10,15,20, 25,32,40, 50	G - G/BSP N - NPT thread F - Flange	B - Brass S - Stainless steel UPVC	N-NBR E-EPDM V-VITON	Y32B Y42B	1.AC220V 2.DC24V 3.AC110V 4.DC12V 5.AC24V 6.DC6V

EXMAPLE:HK08 25 GBN S21H2, HK08 SERIES, NC, 25MM ORIFICE, 1"G, STAINLESS BODY, PET SEAL, COIL S21H, AC220V, DIN

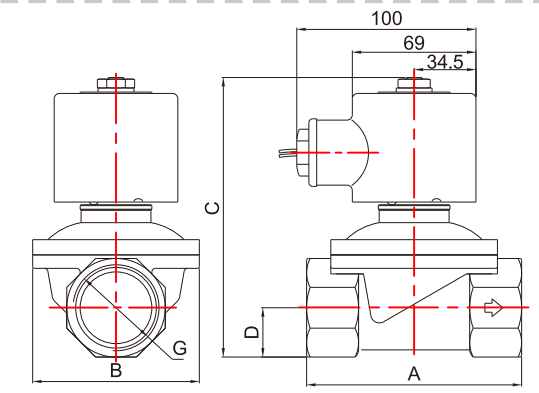
**Technical Parameters**

Size	Port Size	Orifice mm	Cv	Min Pressure	Max Pressure		Operating Temperature		
					AC(40VA)	DC(18W)	NBR	EPDM	VITON
2W-10	3/8"	10	4.5	0.0MPa	0.7MPa	0.7MPa	-5°C~80°C	-5°C~100°C	-5°C~120°C
2W-15	1/2"	15	4.5	0.0MPa	0.7MPa	0.7MPa			
2W-20	3/4"	20	9.3	0.0MPa	0.7MPa	0.7MPa			
2W-25	1"	25	12	0.0MPa	0.7MPa	0.7MPa			
					AC(50VA)	DC(20W)			
2W-32	1-1/4"	32	24	0.0MPa	1.0MPa	1.0MPa			
2W-40	1-1/2"	40	29	0.0MPa	1.0MPa	1.0MPa			
2W-50	2"	50	48	0.0MPa	1.0MPa	1.0MPa			



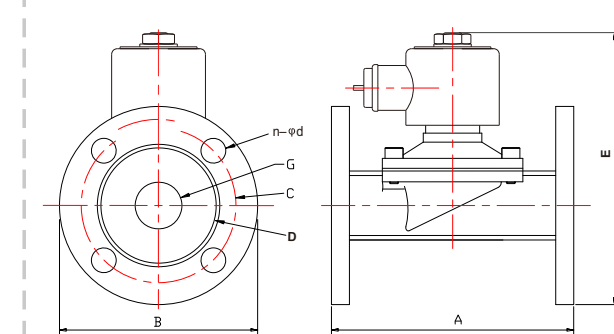
2W Thread DN10-DN25

Size	2W-10	2W-15	2W-20	2W-25
A	68	68	68	97
B	56	56	56	76
C	NO	95	115	120
	NC	92	112	117
D	13.5	13.5	16.5	20



2W Thread DN32-DN50

Size	2W-32	2W-40	2W-50
A	115	122	166
B	86	93	118.5
C	NO	153	160
	NC	153	160
D	24	28	36



2W Flange

Size	A	B	C	D	n-φd	E	
						NO	NC
2W-15	101	φ90	φ65	φ40	4-φ14	145	135
2W-20	103	φ100	φ75	φ48	4-φ14	157	147
2W-25	133	φ110	φ85	φ62	4-φ14	162	152
2W-32	142.5	φ132	φ100	φ66	4-φ18	185	185
2W-40	152	φ142	φ110	φ76	4-φ18	200	200
2W-50	178	φ155	φ125	φ96	4-φ18	212	212