

Characteristic: 1. Pilot operated diaphragm construction with less power consumption for longtime working
2. Applied to pressure system opened from 0.3 bar
3. Lifespan can be at 1 million cycles

Medium: Air, Water, Oil, etc.

Temperature: NBR Seal: -5°C to 80°C

EPDM Seal: -5°C to 100°C

VITON Seal: -5°C to 120°C

Pressure: 0.03Mpa~1.6Mpa

Port Size: 1/8", 1/4", 3/8", 1/2", 1/4", 1/2", 2"

Port Thread: G, BSP, NPT, FLANGE

Orifice(mm): 12, 15, 20, 25, 32, 40, 50, 65, 80, 100, 125, 150

Voltage: DC-12V, 24V, 36V

AC-24V, 120V, 240V/60Hz; 110V, 220V/50Hz

Tolerance: ±10%

Coils: S21B, 24VA(AC), 18W(DC), Ip65, 100%ED

S91B, 22VA(AC), 17W(DC), Ip65, 100%ED

Material: Body - Brass or stainless steel

Seal - VITON, NBR, EPDM

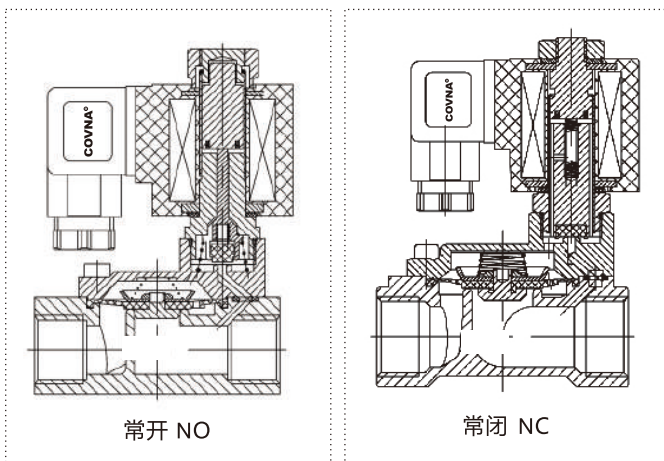
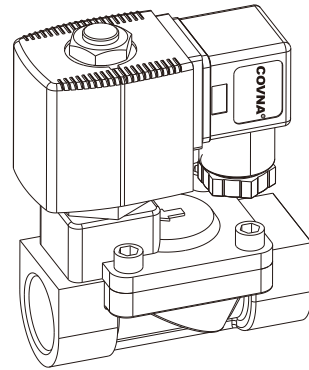
Armature Tube - Stainless Steel304


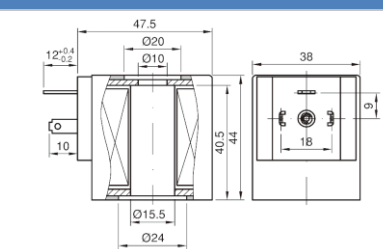

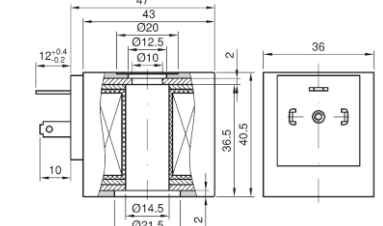
Plunger - Stainless Steel 430F

Stop - SS 403F

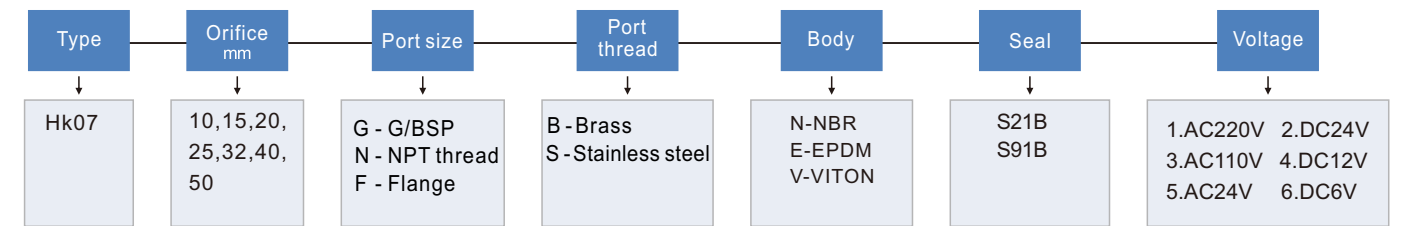
Springs - SS 304

Shading Rings - Stainless Steel 304



Model	Picture	Voltage	Motor Power	Protection Class	Available For	Outline Size Drawing
S21B		1.AC220V 2.AC110V 3.AC24V 1.DC24V 2.DC12V 3.DC6V <i>The voltage can be customized</i>	24VA18W	IP65	DN10 DN15 DN20 DN25	
S91B		1.AC220V 2.AC110V 3.AC24V 1.DC24V 2.DC12V 3.DC6V <i>The voltage can be customized</i>	22VA 17W	IP65	DN32 DN40 DN50 DN65 DN80 DN100	

Determine Valve Body Code



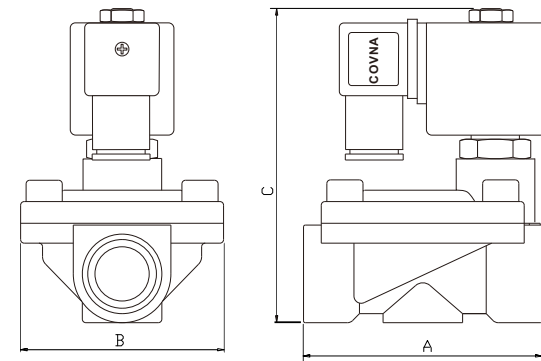
EXMAPLE:HK08 SERIES, NC, 25MM ORIFICE, 1"G, STAINLESS BODY, PET SEAL, COIL S21H, AC220V, DIN

Technical Parameters

Size	Port Size	Orifice mm	Cv	Min Pressure	Max Pressure	Operating Temperature			Weight
						NBR	EPDM	VITON	
HK07-12	3/8"	12	4.5	0.03MPa	1.6MPa	-5°C~80°C	-5°C~100°C	-5°C~120°C	
HK07-15	1/2"	15	4.5	0.03MPa	1.6MPa				
HK07-20	3/4"	20	9.3	0.03MPa	1.6MPa				
HK07-25	1"	25	12	0.03MPa	1.6MPa				
HK07-32	1-1/4"	32	24	0.03MPa	1.6MPa				
HK07-40	1-1/2"	40	29	0.03MPa	1.6MPa				
HK07-50	2"	50	48	0.03MPa	1.6MPa				
HK07-65	2-1/2"	65	68	0.03MPa	1.6MPa				
HK07-80	3"	80	100	0.03MPa	1.6MPa				
HK07-100	4"	100	175	0.03MPa	1.6MPa				
HK07-125	5"	125	200	0.03MPa	1.6MPa				
HK07-150	6"	150	250	0.03MPa	1.6MPa				

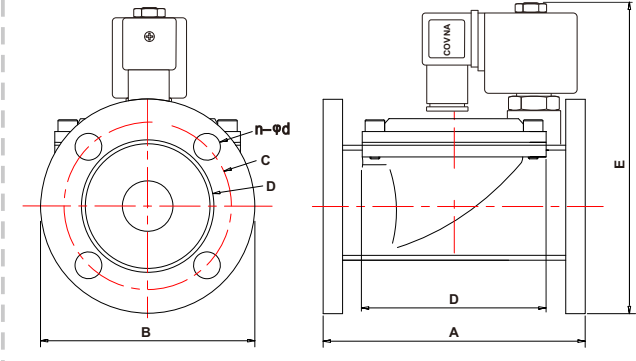
Outline Size Drawing

Hk07 Thread



阀体	A	B	C
DN15	73	48	93
DN20	83	60	104
DN25	100	70	126
DN32	130	92	130
DN40	130	92	130
DN50	156	113	145

Hk07 Flange



阀体	A	B	C	D	n-φd	E
DN15		∅90	∅65	∅40	4-∅14	
DN20		∅100	∅75	∅48	4-∅14	
DN25		∅110	∅85	∅62	4-∅14	
DN32		∅132	∅100	∅66	4-∅18	
DN40		∅142	∅110	∅76	4-∅18	
DN50		∅155	∅125	∅96	4-∅18	