

Characteristic: 1. Direct lifting diaphragm construction with high frequency
2. Open from 0 bar with large flow rate
3. Applied to low pressure system

Medium: Steam and Hot Water, Civil gas, Oil, etc.

Temperature: N-NBR: -5°C to 80°C

E-EPDM: -5°C to 100°C

V-VITON: -5°C to 120°C

Pressure: 0.0Mpa~1.0Mpa

Port Size: 3/8", 1/2", 3/4", 1", 1 1/4", 1 1/2", 2"

Port Thread: BSPP, BSPT, NPT, FLANGE

Orifice(mm): 15, 20, 25, 32, 40, 50

Voltage: DC-12V, 24V

AC-24V, 120V, 240V/60Hz; 110V, 220V/50Hz

Tolerance: ±10%

Coils: F14, 26VA(AC), 13W(DC), IP68, 100%ED

F24, 28VA(AC), 15W(DC), IP68, 100%ED

Material: Body- Brass or stainless steel UPVC

Seal- VITON PTFE NBR EPDM

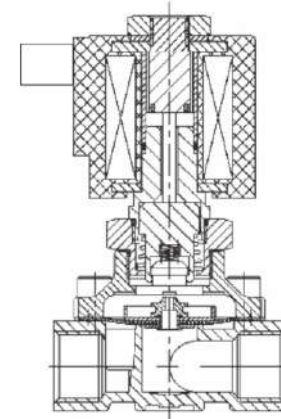
Armature Tube- Stainless Steel304

Plunger- Stainless Steel 430F

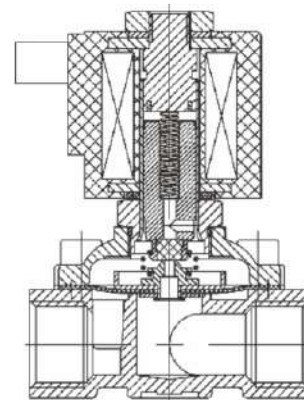
Stop- SS 403F

Springs-SS 304

Shading Rings-Stainless Steel 304



NO



NC



Model	Picture	Voltage	Motor Power	Protection Class	Available For	Outline Size Drawing
F14		1.AC220V 2.AC110V 3.AC24V 1.DC24V 2.DC12V 3.DC6V <i>The voltage can be customized</i>	26VA 13W	IP68	DN10 DN15 DN20 DN25	
F24		1.AC220V 2.AC110V 3.AC24V 1.DC24V 2.DC12V 3.DC6V <i>The voltage can be customized</i>	28VA 15W	IP68	DN32 DN40 DN50	

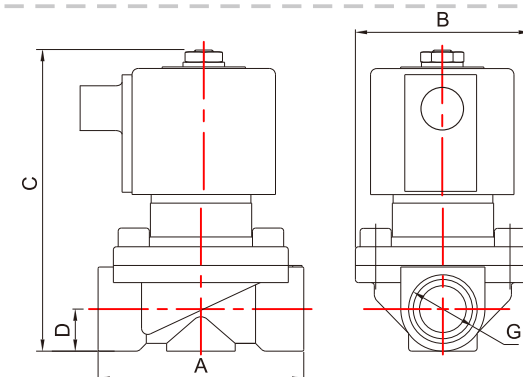
Determine Valve Body Code

Type	Orifice mm	Port size	Port thread	Body	Seal	Voltage
HKPF	10,15,20, 25,32,40, 50	G - G/BSP N - NPT thread F - Flange	B - Brass S - Stainless steel UPVC	N-NBR E-EPDM V-VITON	F14 F24	1.AC220V 2.DC24V 3.AC110V 4.DC12V 5.AC24V 6.DC6V

EXAMPLE:HK08 SERIES, NC, 25MM ORIFICE, 1"G, STAINLESS BODY, PET SEAL, COIL S21H, AC220V, DIN

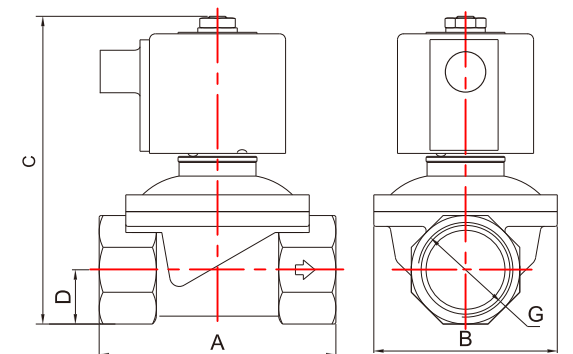
Technical Parameters

Size	Port Size	Orifice	Cv	Min Pressure	Max Pressure		Operating Temperature		
					AC(26VA)	DC(13W)	NBR	EPDM	VITON
HKPF-10	3/8"	10	4.5	0.0MPa	0.7MPa	0.7MPa	-5°C~80°C	-5°C~100°C	-5°C~120°C
HKPF-15	1/2"	15	4.5	0.0MPa	0.7MPa	0.7MPa			
HKPF-20	3/4"	20	9.3	0.0MPa	0.7MPa	0.7MPa			
HKPF-25	1"	25	12	0.0MPa	0.7MPa	0.7MPa			
					AC(28VA)	DC(15W)			
HKPF-32	1-1/4"	32	24	0.0MPa	1.0MPa	1.0MPa			
HKPF-40	1-1/2"	40	29	0.0MPa	1.0MPa	1.0MPa			
HKPF-50	2"	50	48	0.0MPa	1.0MPa	1.0MPa			



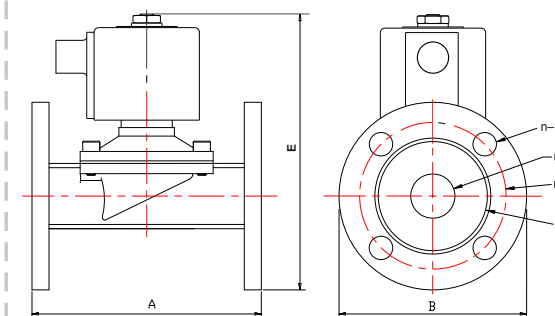
HKPF Thread DN10-DN25

Size	HKPF-10	HKPF-15	HKPF-20	HKPF-25
A	68	68	68	97
B	56	56	56	76
C	NO	100	122	127
	NC	90	112	117
D	13.5	13.5	16.5	2



HKPF DN32-DN50

Size	HKPF-32	HKPF-40	HKPF-50
A	115	122	166
B	86	93	118.5
C	NO	153	160
	NC	153	160
D	24	28	36



HKPF Flange

Size	A	B	C	D	n-φd	E	
						NO	NC
HKPF-15	101	φ90	φ65	φ40	4-φ14	145	135
HKPF-20	103	φ100	φ75	φ48	4-φ14	157	147
HKPF-25	133	φ110	φ85	φ62	4-φ14	162	152
HKPF-32	142.5	φ132	φ100	φ66	4-φ18	185	185
HKPF-40	152	φ142	φ110	φ76	4-φ18	200	200
HKPF-50	178	φ155	φ125	φ96	4-φ18	212	212