

SOLENOID VALVE



ELECTRIC VALVE



PNEUMATIC VALVE



SPECIALIZED FLUID CONTROL VALVE MANUFACTURER

COVNA Headquarter:

Building C, Longchang Micro-Chuangyuan, No. 26 Hantang Street,
Dongcheng District, Dongguan City, China, 523000

E-mail: sales@covnavalve.com

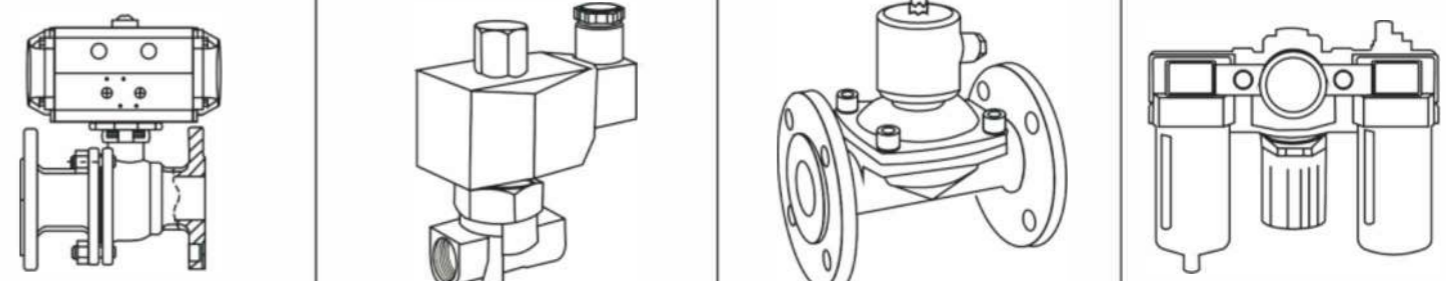
Tel: 86-769-22456666 22763199

Fax: 86-769-22825120

www.covnavalve.com

COVNA[®]
— VALVE —

ISO9001 CE RoHS



Instruction For Use



Characteristic: 1. Direct lifting diaphragm construction with high frequency

- 2. Open from 0 bar with large flow rate
- 3. Applied to low pressure system

Medium: Steam and Hot Water, Civil gas, Oil, etc.

Temperature: N-NBR: -5°C to 80°C

E-EPDM: -5°C to 100°C

V-VITON: -5°C to 120°C

Pressure: 0.0Mpa~1.0Mpa

Port Size: 3/8", 1/2", 3/4", 1", 1 1/4", 1 1/2", 2"

Port Thread: BSPP, BSPT, NPT, FLANGE

Orifice(mm): 15, 20, 25, 32, 40, 50

Voltage: DC-12V, 24V

AC-24V, 120V, 240V/60Hz; 110V, 220V/50Hz

Tolerance: ±10%

Coils: **Y32B, 40VA(AC), 18W(DC), IP65,100%ED**

Y42B, 50VA(AC), 20W(DC), IP65,100%ED

Material: Body- Brass or stainless steel UPVC

Seal- VITON PTFE NBR EPDM

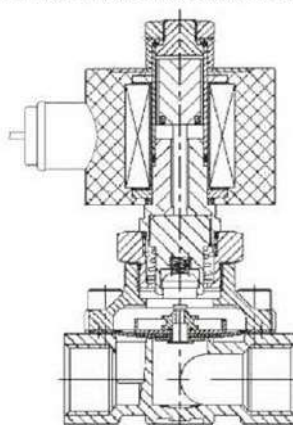
Armature Tube- Stainless Steel304

Plunger- Stainless Steel 430F

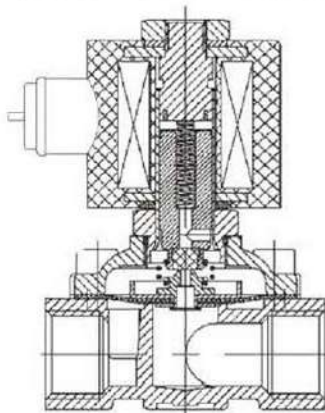
Stop- SS 403F

Springs-SS 304

Shading Rings-Stainless Steel 304



NO

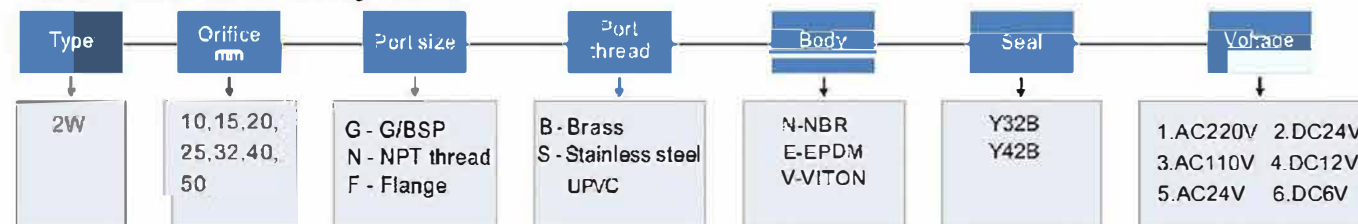


NC



Model	Picture	Voltage	Motor Power	Protection Class	Available For	Outline Size Drawing
Y32B		1.AC220V 2.AC110V 3.AC24V 1.DC24V 2.DC12V 3.DC6V <i>The voltage can be customized</i>	40VA 18W	IP65	DN10 DN15 DN20 DN25	
Y42B		1.AC220V 2.AC110V 3.AC24V 1.DC24V 2.DC12V 3.DC6V <i>The voltage can be customized</i>	50VA 20W	IP65	DN32 DN40 DN50	

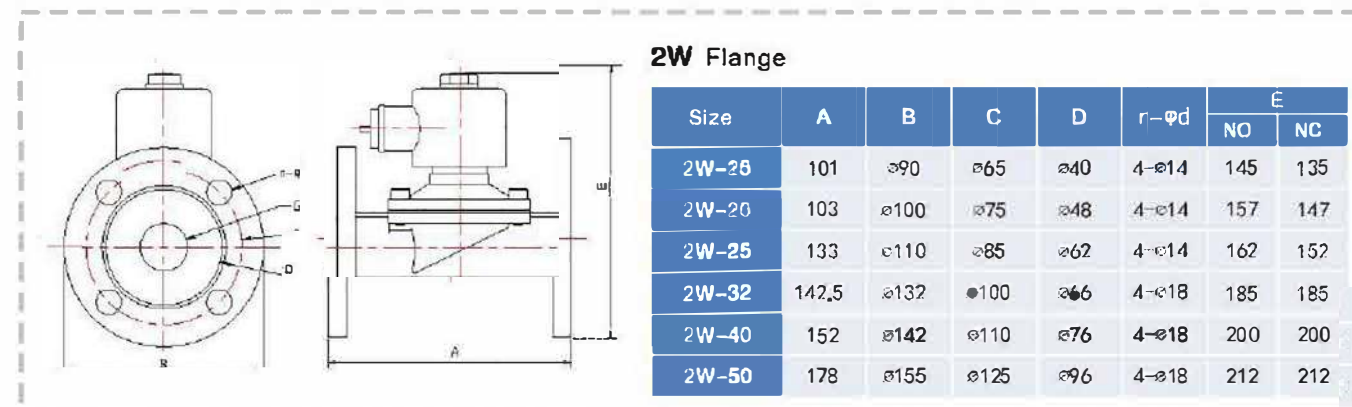
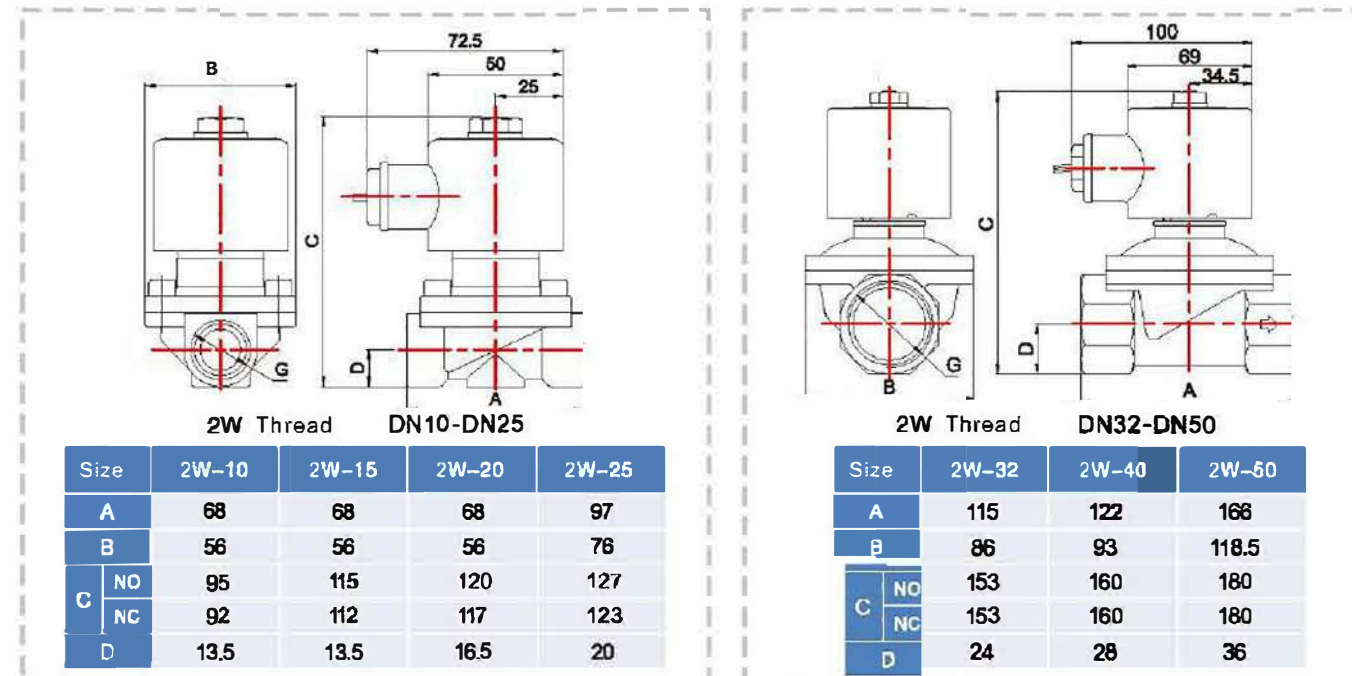
Determine Valve Body Code



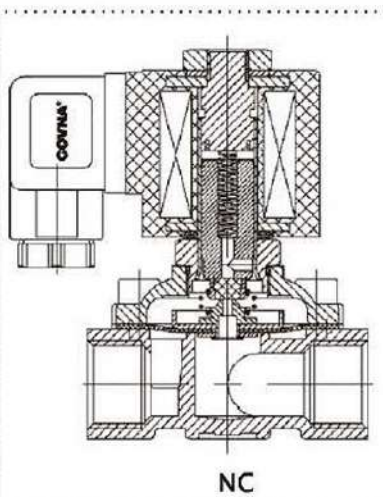
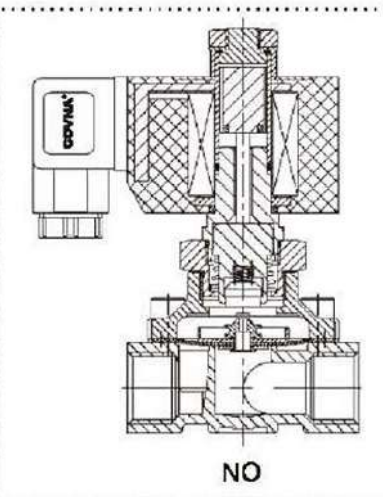
EXMAPLE:HK08 25 G3N S21H2, HK08 SERIES, NC, 25MM ORIFICE, 1"G, STAINLESS BODY, PET SEAL, COIL S21H, AC220V, DIN

Technical Parameters

Size	Port Size	Orifice mm	Cv	Min Pressure	Max Pressure		Operating Temperature		
					AC(40VA)	DC(18W)	NBR	EPDM	VITON
2W-10	3/8"	10	4.5	0.0MPa	0.7MPa _A	0.7MPa	-5°C-80°C	-5°C-100°C	-5°C-120°C
2W-15	1/2"	15	4.5	0.0MPa	0.7MPa	0.7MPa			
2W-20	3/4"	20	9.3	0.0MPa	0.7MPa	0.7MPa			
2W-25	1"	25	12	0.0MPa	0.7MPa	0.7MPa			
					AC(50VA)	DC(20W)			
2W-32	1-1/4"	32	24	0.0MPa	1.0MPa	1.0MPa			
2W-40	1-1/2"	40	29	0.0MPa	1.0MPa	1.0MPa			
2W-50	2"	50	48	0.0MPa	1.0MPa	1.0MPa			

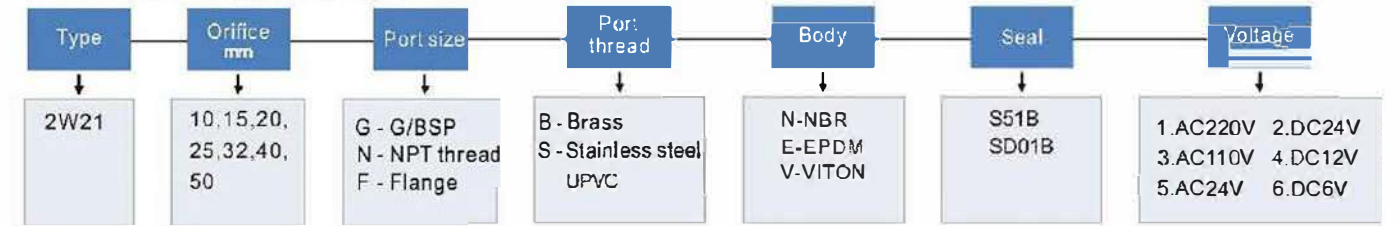


- Characteristic: 1. Direct lifting diaphragm construction with high frequency
2. Open from 0 bar with large flow rate
3. Applied to low pressure system
- Medium: Steam and Hot Water, Civil gas, Oil, etc.
- Temperature: N-NBR: -5°C to 80°C
E-EPDM: -5°C to 100°C
V-VITON: -5°C to 120°C
- Pressure: 0.0Mpa~1.0Mpa
- Port Size: 3/8", 1/2", 3/4", 1", 1 1/4", 1 1/2", 2"
- Port Thread: BSPP, BSPT, NPT, FLANGE
- Orifice(mm): 15, 20, 25, 32, 40, 50
- Voltage: DC-12V, 24V
AC-24V, 120V, 240V/60Hz; 110V, 220V/50Hz
- Tolerance: ±10%
- Coils: S51B: 30VA(AC), 24W(DC), IP65,100%ED
SD01B: 28VA(AC), 36W(DC), IP65,100%ED
- Material: Body- Brass or stainless steel UPVC
Seal- VITON PTFE NBR EPDM
Armature Tube- Stainless Steel304
Plunger- Stainless Steel 430F
Stop- SS 403F
Springs-SS 304
Shading Rings-Stainless Steel 304



Model	Picture	Voltage	Motor Power	Protection Class	Available For	Outline Size Drawing
S51B		1. AC220V 2. AC110V 3. AC24V 1. DC24V 2. DC12V 3. DC6V <i>The voltage can be customized</i>	30VA 24W	IP65	DN10 DN15 DN20 DN25	
SD01B		1. AC220V 2. AC110V 3. AC24V 1. DC24V 2. DC12V 3. DC6V <i>The voltage can be customized</i>	28VA 36W	IP65	DN32 DN40 DN50	

Determine Valve Body Code



EXAMPLE:HK08 25 G3N S21H2, HK08 SERIES, NC, 25MM ORIFICE, 1"G. STAINLESS BODY, PET SEAL, COIL S21H, AC220V, DIN

Technical Parameters

Size	Cv	Port Size	Orifice mm	Kv	Min Pressure	Max Pressure		Operating Temperature		
						AC(30VA)	DC(24W)	NBR	EPDM	VITON
2W21-10		3/8"	10	4.5	0.0MPa	0.7MPa	0.7MPa	-5°C~80°C	-5°C~100°C	-5°C~120°C
2W21-15		1/2"	15	4.5	0.0MPa	0.7MPa	0.7MPa			
2W21-20		3/4"	20	9.3	0.0MPa	0.7MPa	0.7MPa			
2W21-25		1"	25	12	0.0MPa	0.7MPa	0.7MPa			
						AC(28VA)	DC(36W)			
2W21-32		1-1/4"	32	24	0.0MPa	1.0MPa	1.0MPa			
2W21-40		1-1/2"	40	29	0.0MPa	1.0MPa	1.0MPa			
2W21-50		2"	50	48	0.0MPa	1.0MPa	1.0MPa			

2W21 Thread DN10-DN25

Size	2W21-20	2W21-20	2W21-20	2W21-20
A	68	68	68	97
B	56	56	56	76
NO	110	120	128	135
C	NC	110	117	125
	D	13.5	13.5	16.5

2W21 Thread DN32-DN50

Size	2W21-20	2W21-20	2W21-50
A	115	122	166
B	86	93	118.5
C	NO	148	157
	NC	148	157
D	24	28	36

2W21 Flange

Size	A	B	C	D	n-φd	E	
2W21-15	101	φ90	φ65	φ40	4-φ14	145	135
2W21-20	103	φ100	φ75	φ48	4-φ14	157	147
2W21-25	133	φ110	φ85	φ62	4-φ14	162	152
2W21-32	142.5	φ132	φ100	φ66	4-φ18	165	165
2W21-40	152	φ142	φ110	φ76	4-φ18	200	200
2W21-50	178	φ155	φ125	φ96	4-φ18	212	212

Characteristic: 1. Direct lifting diaphragm construction with high frequency

2. Open from 0 bar with large flow rate
3. Applied to low pressure system

Medium: Steam and Hot Water, Civil gas, Oil, etc.

Temperature: N-NBR: -5°C to 80°C

E-EPDM : -5°C to 100°C

V-VITON: -5°C to 120°C

Pressure: 0.0Mpa~1.0Mpa

Port Size: 3/8", 1/2", 3/4", 1", 1 1/4", 1 1/2", 2"

Port Thread: BSPP, BSPT, NPT, FLANGE

Orifice(mm): 15, 20, 25, 32, 40, 50

Voltage: DC-12V, 24V

AC-24V, 120V, 240V/60Hz; 110V, 220V/50Hz

Tolerance: ±10%

Coils: S91B, 22VA(AC),17W(DC), IP65, 100%ED

S92B, 22VA(AC),17W(DC), IP65, 100%ED

SD01B, 28VA(AC),36W(DC), IP65, 100%ED

Material: Body- Brass or stainless steel UPVC

Seal- VITON PTFE NBR EPDM

Armature Tube- Stainless Steel304

Plunger- Stainless Steel430F

Stop- SS 403F

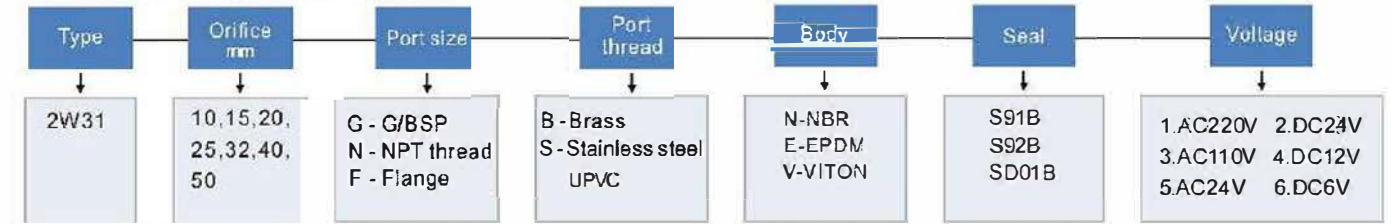
Springs-SS 304

Shading Rings-Stainless Steel 304



Model	Picture	Voltage	Motor Power	Protection Class	Available For	Outline Size Drawing
S91B		1.AC220V 2.AC110V 3.AC24V 1.DC24V 2.DC12V 3.DC6V The voltage can be customized	22VA 17W	IP65	DN10 DN15 DN20 DN25	
S92B		1.AC220V 2.AC110V 3.AC24V 1.DC24V 2.DC12V 3.DC6V The voltage can be customized	22VA 17W	IP65	DN10 DN15 DN20 DN25	
SD01B		1.AC220V 2.AC110V 3.AC24V 1.DC24V 2.DC12V 3.DC6V The voltage can be customized	28VA 36W	IP65	DN32 DN40 DN50	

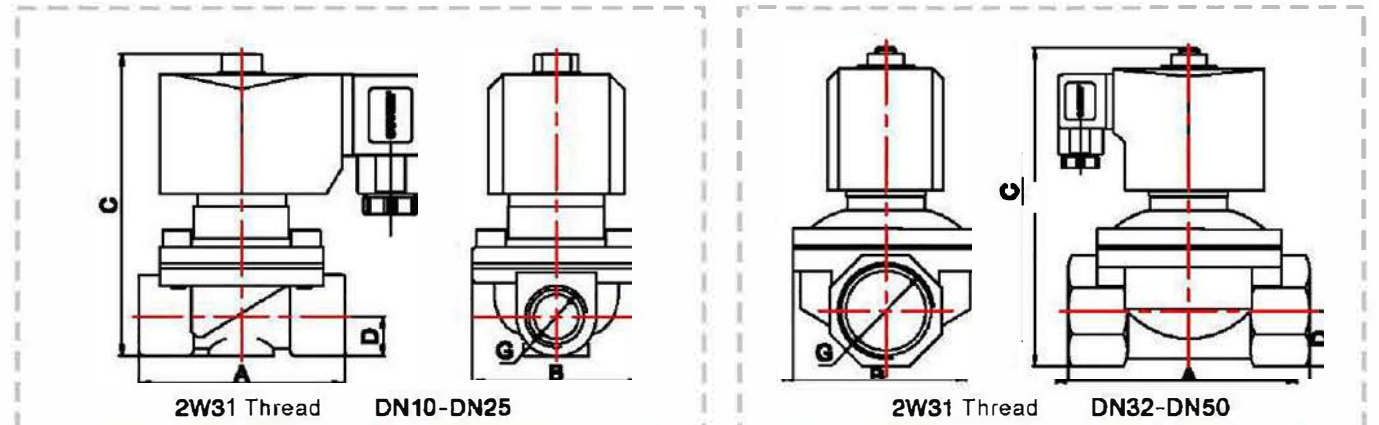
Determine Valve Body Code



EXMAPLE:HK08 25 GBN S21H2, HK08 SERIES, NC, 25MM ORIFICE, 1"G, STAINLESS BODY, PET SEAL, COIL S21H, AC220V, DIN

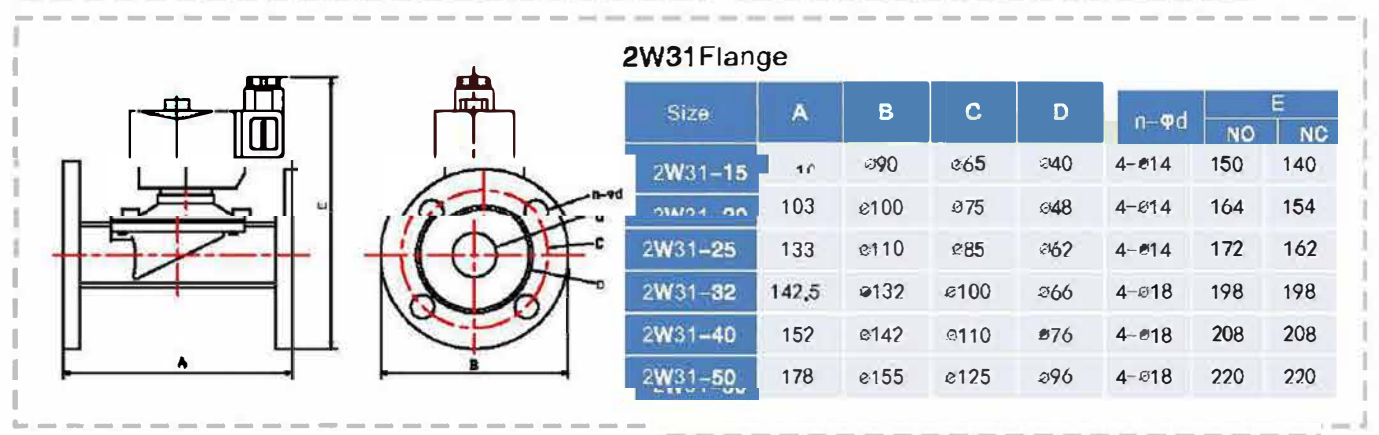
Technical Parameters

Size	Port Size	Orifice mm	Cv	Min Pressure	Max Pressure		Operating Temperature		
					AC(22VA)	DC(17W)	NBR	EPDM	VITON
2W31-10	3/8"	10	4.5	0.0MPa	0.7MPa _A	0.7MPa	-5°C~80°C	-5°C~100°C	-5°C~120°C
2W31-15	1/2"	15	4.5	0.0MPa	0.7MPa	0.7MPa			
2W31-20	3/4"	20	9.3	0.0MPa	0.7MPa	0.7MPa			
2W31-25	1"	25	12	0.0MPa	0.7MPa	0.7MPa			
					AC(28VA)	DC(36W)			
2W31-32	1-1/4"	32	24	0.0MPa	1.0MPa	1.0MPa			
2W31-40	1-1/2"	40	29	0.0MPa	1.0MPa	1.0MPa			
2W31-50	2"	50	48	0.0MPa	1.0MPa	1.0MPa			



Size	2W31-10	2W31-15	2W31-20	2W31-25
A	68	66	68	97
B	56	56	56	76
C	NO	105	120	128
	NC	95	110	117
D	13.5	13.5	16.5	20

Size	2W31-30	2W31-40	2W31-50
A	110	114	154
B	86	93	118.5
C	NO	148	157
	NC	148	157
D	24	28	36



Size	A	B	C	D	n-φd	E	
						NO	NC
2W31-15	103	φ90	φ65	φ40	4-φ14	150	140
2W31-20	103	φ100	φ75	φ48	4-φ14	164	154
2W31-25	133	φ110	φ85	φ62	4-φ14	172	162
2W31-32	142.5	φ132	φ100	φ66	4-φ18	198	198
2W31-40	152	φ142	φ110	φ76	4-φ18	208	208
2W31-50	178	φ155	φ125	φ96	4-φ18	220	220

Characteristic: 1. Direct lifting diaphragm construction with high frequency

2. Open from 0 bar with large flow rate
3. Applied to low pressure system

Medium: Steam and Hot Water, Civil gas, Oil, etc.

Temperature: N-NBR: -5°C to 80°C

E-EPDM: -5°C to 100°C

V-VITON: -5°C to 120°C

Pressure: 0.0Mpa~1.0Mpa

Port Size: 3/8", 1/2", 3/4", 1", 1 1/4", 1 1/2", 2"

Port Thread: BSPP, BSPT, NPT, FLANGE

Orifice(mm): 15, 20, 25, 32, 40, 50

Voltage: DC-12V, 24V

AC-24V, 120V, 240V/60Hz; 110V, 220V/50Hz

Tolerance: ±10%

Coils: Ex1620, 20VA(AC), 16W(DC), IP65, 100%ED

Material: Body- Brass or stainless steel UPVC

Seal- VITON PTFE NBR EPDM

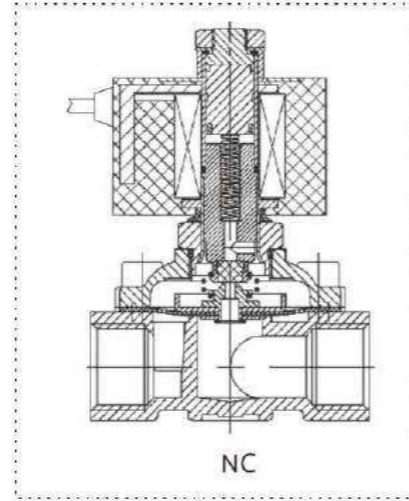
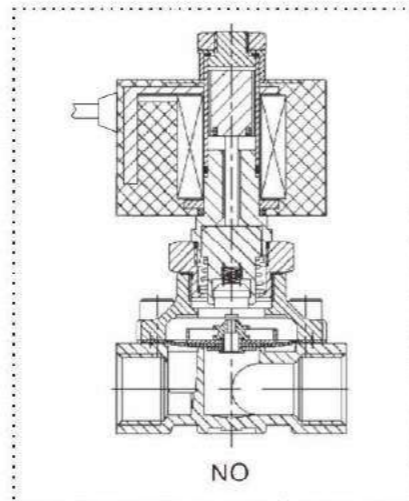
Armature Tube- Stainless Steel304

Plunger- Stainless Steel 430F

Stop- SS 403F

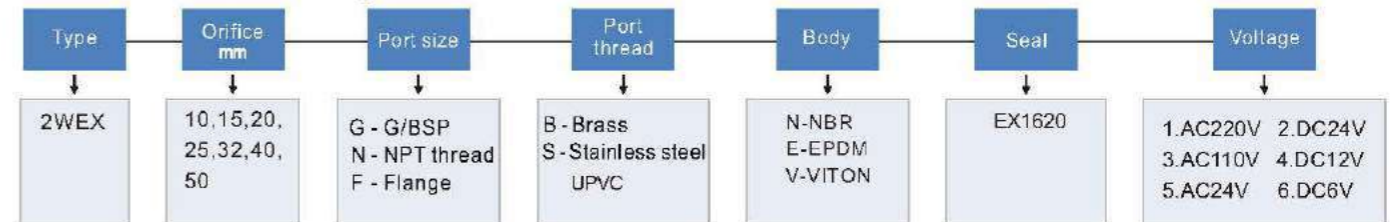
Springs-SS 304

Shading Rings- Stainless Steel 304



Model	Picture	Voltage	Motor Power	Protection Class	Available For	Outline Size Drawing
EX1620		1.AC220V 2.AC110V 3.AC24V	20VA 16W	Ex mb II T4	DN10 DN15 DN20 DN25	
		1.DC24V 2.DC12V 3.DC6V			DN32 DN40 DN50	

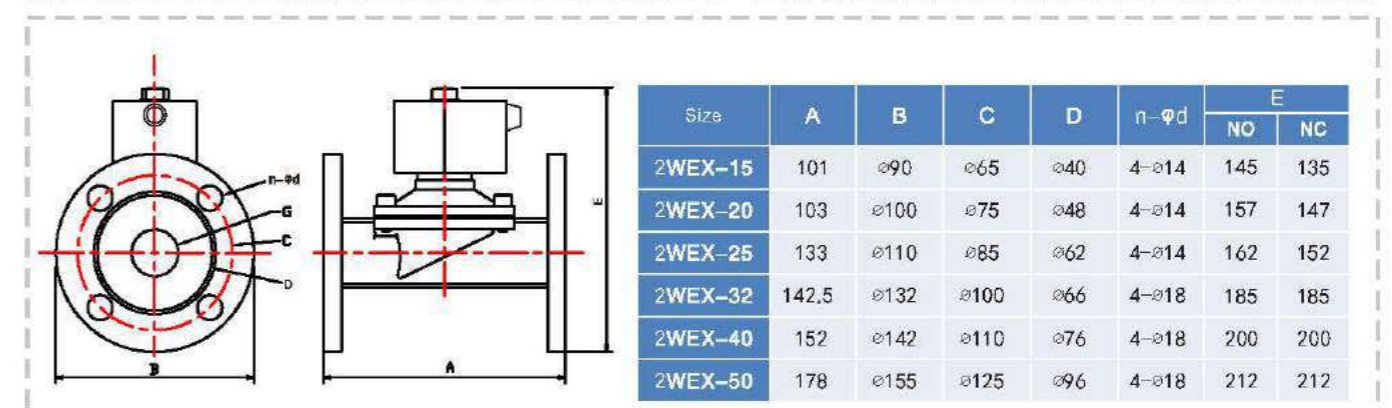
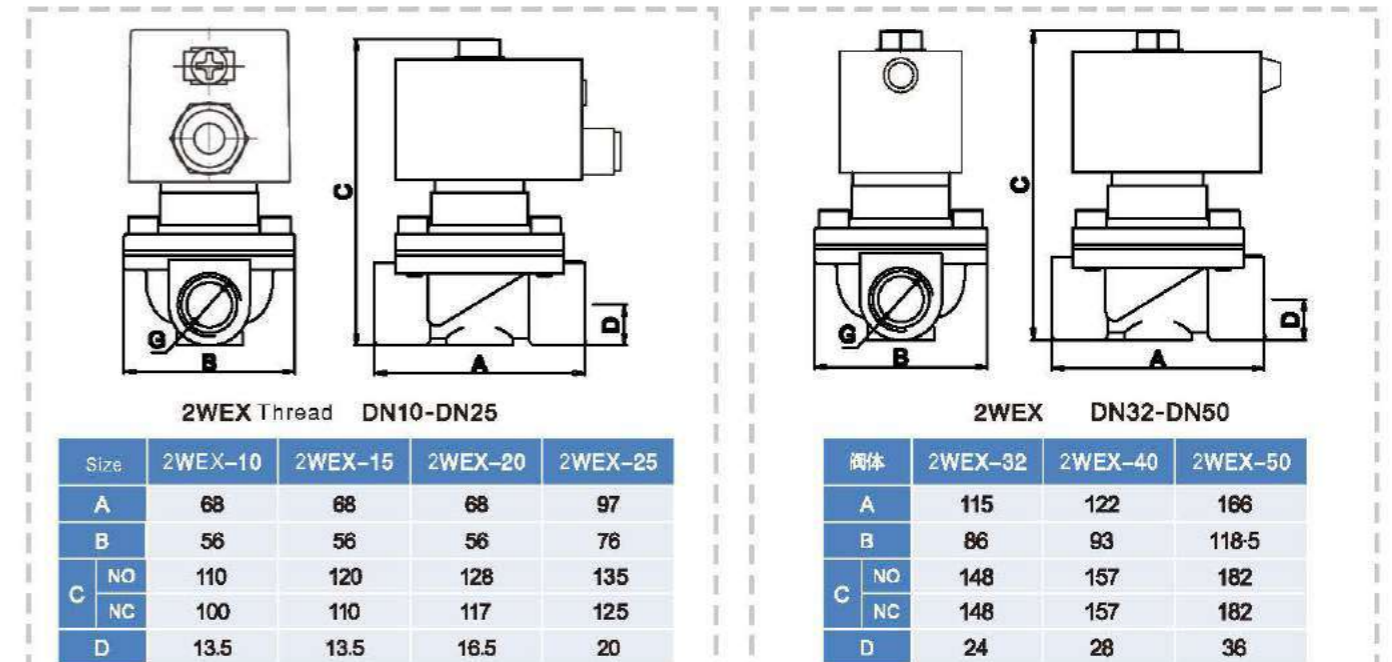
Determine Valve Body Code



EXMAPLE:HK08 25 GBN S21H2, HK08 SERIES, NC, 25MM ORIFICE, 1"G, STAINLESS BODY, PET SEAL, COIL S21H, AC220V, DIN

Technical Parameters

Size	Port Size	Orifice	Cv	Min Pressure	Max Pressure		Operating Temperature		
					AC(20VA)	DC(16W)	NBR	EPDM	VITON
2WEX-10	3/8"	10	4.5	0.0MPa	0.7MPa	0.7MPa	-5°C~80°C	-5°C~100°C	-5°C~120°C
2WEX-15	1/2"	15	4.5	0.0MPa	0.7MPa	0.7MPa			
2WEX-20	3/4"	20	9.3	0.0MPa	0.7MPa	0.7MPa			
2WEX-25	1"	25	12	0.0MPa	0.7MPa	0.7MPa			
2WEX-32	1-1/4"	32	24	0.0MPa	1.0MPa	1.0MPa			
2WEX-40	1-1/2"	40	29	0.0MPa	1.0MPa	1.0MPa			
2WEX-50	2"	50	48	0.0MPa	1.0MPa	1.0MPa			



Characteristic: 1. Direct acting mini construction at low power consumption.
2. Compact design to save the space
3. Applied to low pressure system, open from 0 bar

Medium: Air, Water, Steam, Oil, etc.

Temperature: NBR Seal: 0°C to 80°C
EPDM Seal: -5°C to 100°C
VITON Seal: -5°C to 120°C
PTFE Seal: -10°C to 180°C

Pressure: 0.0Mpa~1.6Mpa

Port Size: 1/8", 1/4", 3/8"

Port Thread: NPT, G

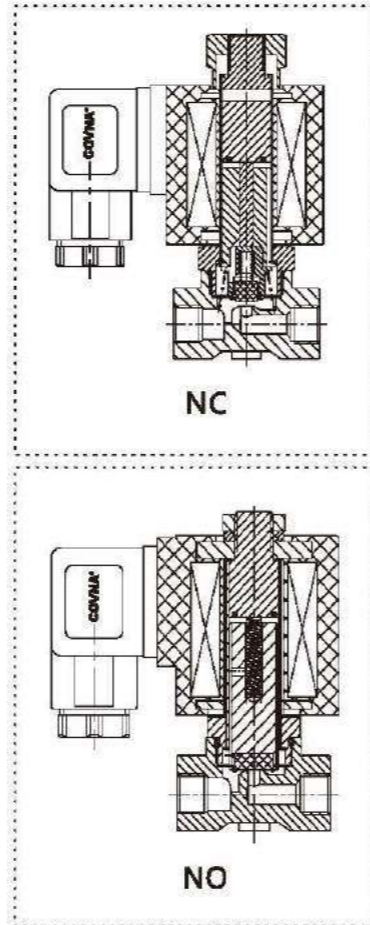
Orifice(mm): 1.0, 1.6, 2.5, 3.0, 4.0, 5.0, 6.0

Voltage: DC-12V, 24V, 36V
AC-24V, 120V, 240V/60Hz; 110V, 220V/50Hz

Tolerance: ±10%

Coils: S91B, 22VA(AC), 17W(DC), Ip65, 100%ED
S92B, 22VA(AC), 17W(DC), Ip65, 100%ED

Material: Body - Brass or stainless steel
Seal - VITON, NBR, EPDM
Armature Tube - Stainless Steel 304
Plunger - Stainless Steel 430F
Stop - SS 403F
Springs - SS 304
Shading Rings - Stainless Steel 304



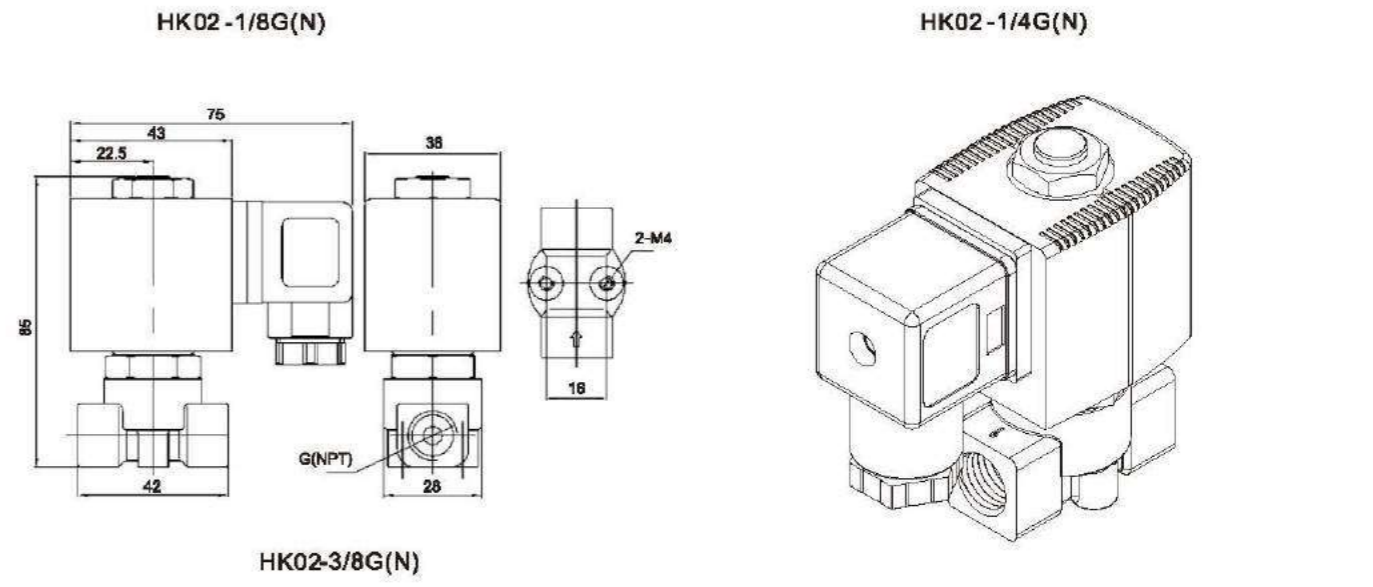
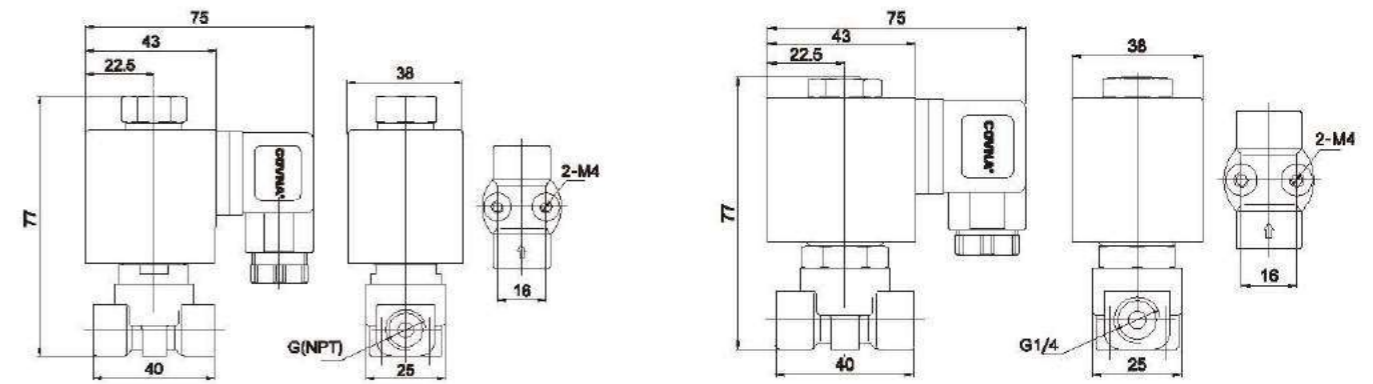
Coils Parameters

Model	Picture	Voltage	Motor Power	Protection Class	Outline Size Drawing
S91B		1. AC220V 2. AC110V 3. AC24V 1. DC24V 2. DC12V 3. DC6V <i>The voltage can be customized</i>	22VA17W	IP65	
S92B		1. AC220V 2. AC110V 3. AC24V 1. DC24V 2. DC12V 3. DC6V <i>The voltage can be customized</i>	22VA17W	IP65	

Technical Parameters

Size	Port Size	Orifice mm	Cv	Min Pressure	Max Pressure	Operating Temperature	Weight
HK02-06	1/8"	1.0	0.10	0.00MPa	2.5MPa	NBR : 0°C ~ 80°C EPDM : -5°C ~ 100°C VITON : -5°C ~ 120°C PTFE : -10°C ~ 180°C	
HK02-06	1/8"	1.6	0.11	0.00MPa	1.6MPa		
HK02-06	1/8"	2.5	0.18	0.00MPa	1.6MPa		
HK02-06	1/8"	3.0	0.30	0.00MPa	1.6MPa		
HK02-06	1/4"	2.5	0.18	0.00MPa	1.6MPa		
HK02-08	1/4"	3.0	0.30	0.00MPa	1.6MPa		
HK02-08	1/4"	4.0	0.5	0.00MPa	1.6MPa		
HK02-10	3/8"	2.5	0.18	0.00MPa	1.6MPa		
HK02-10	3/8"	3.0	0.30	0.00MPa	1.6MPa		
HK02-10	3/8"	4.0	0.5	0.00MPa	1.6MPa		
HK02-10	3/8"	5.0	0.71	0.00MPa	1.6MPa		
HK02-10	3/8"	6.0	0.8	0.00MPa	1.6MPa		

Outline Size Drawing



Characteristic: 1. Direct lifting diaphragm construction with high frequency

- 2. Open from 0 bar with large flow rate
- 3. Applied to low pressure system

Medium: Steam and Hot Water, Civil gas, Oil, etc.

Temperature: PTFE Seal: -10°C to 180°C
Graphite Seal: -10°C to 220°C

Pressure: 0.03Mpa~1.6Mpa

Port Size: 3/8", 1/2", 3/4", 1", 1 1/4", 1 1/2", 2"

Port Thread: BSPP, BSPT, NPT, FLANGE

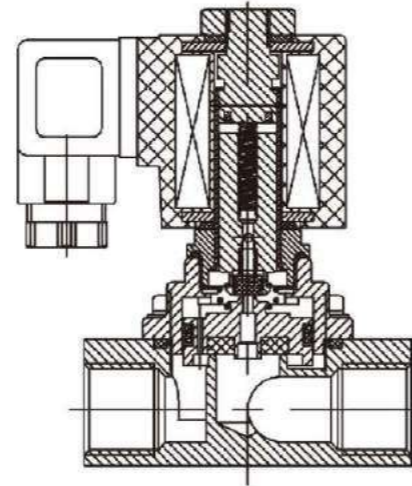
Orifice(mm): 12, 15, 20, 25, 32, 40, 50

Voltage: DC-12V, 24V
AC-24V, 120V, 240V/60Hz; 110V, 220V/50Hz


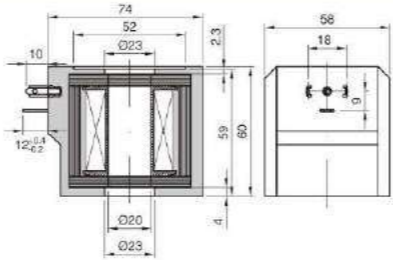

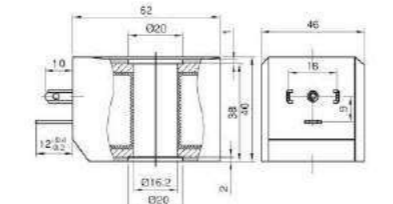
Tolerance: ±10%

Coils: S51B, 30VA(AV), 24W(DC), IP65, 100%ED
SD01B, 28VA(AV), 36W(DC), IP65, 100%ED

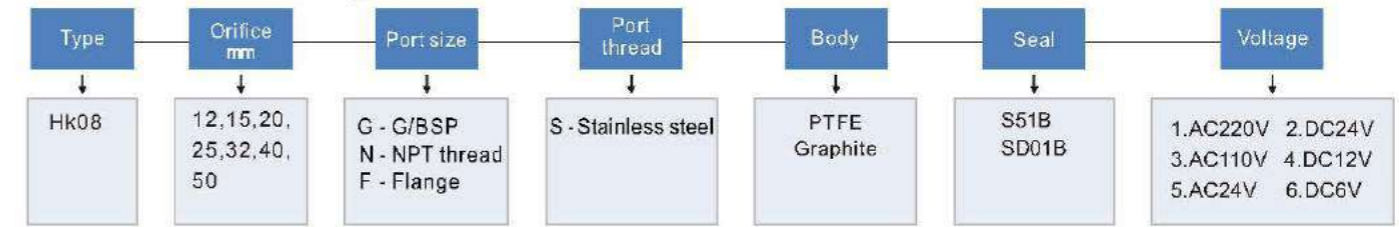
Material: Body - Brass or stainless steel
Seal - VITON or PTFE
Armature Tube - Stainless Steel 304
Plunger - Stainless Steel 430F
Stop - SS 403F
Springs - SS 304
Shading Rings - Stainless Steel 304



Coils Parameters

Model	Picture	Voltage	Motor Power	Protection Class	Available For	Outline Size Drawing
S51B		1.AC220V 2.AC110V 3.AC24V 1.DC24V 2.DC12V 3.DC6V <i>Special voltage can be customized</i>	30VA 24W	IP65	DN10 DN15 DN20 DN25	
SD01B		1.AC220V 2.AC110V 3.AC24V 1.DC24V 2.DC12V 3.DC6V <i>Special voltage can be customized</i>	28VA 36W	IP65	DN32 DN40 DN50	

Determine Valve Body Code



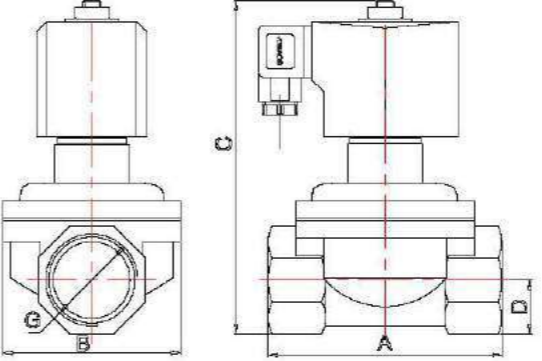
EXAMPLE: HK08 SERIES, NC, 25MM ORIFICE, 1" G, STAINLESS BODY, PET SEAL, COIL S21H, AC220V, DIN

Technical Parameters

Size	Port Size	Orifice mm	Cv	Min Pressure	Max Pressure	Operating Temperature	Weight
HK08-12	3/8"	12	4.5	0.03MPa	1.6MPa	PTFE -10°C~180°C Graphite: -10°C~220°C	
HK08-15	1/2"	15	4.5	0.03MPa	1.6MPa		
HK08-20	3/4"	20	9.3	0.03MPa	1.6MPa		
HK08-25	1"	25	12	0.03MPa	1.6MPa		
HK08-32	1-1/4"	32	24	0.03MPa	1.6MPa		
HK08-40	1-1/2"	40	29	0.03MPa	1.6MPa		
HK08-50	2"	50	48	0.03MPa	1.6MPa		
HK08F-25	1"	25	12	0.03MPa	1.6MPa		
HK08F-32	1-1/4"	32	24	0.03MPa	1.6MPa		
HK08F-40	1-1/2"	40	29	0.03MPa	1.6MPa		
HK08F-50	2"	50	48	0.03MPa	1.6MPa		

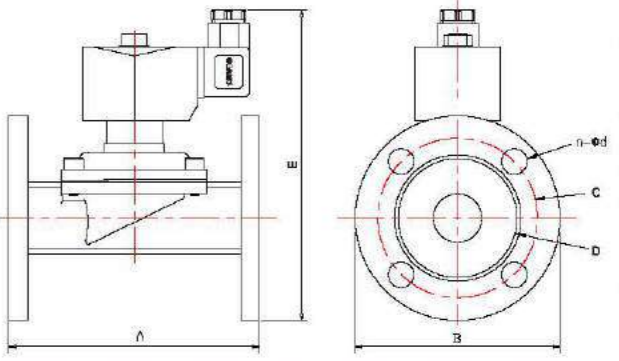
Outline Size Drawing

HK08 Thread



Size	A	B	C
DN15	68.5	48.5	121.3
DN20	78	57	127
DN25	89	65.5	131
DN32	120	94	177
DN40	120	94	177
DN50	159	143	210

HK08 Flange



Size	A	B	C	D	n-φd	E
DN15						
DN20						
DN25						
DN32						
DN40						
DN50						

Characteristic: 1. Direct lifting diaphragm construction with high frequency

- 2. Open from 0 bar with large flow rate
- 3. Applied to low pressure system

Medium: Steam and Hot Water, Civil gas, Oil, etc.

Temperature: PTFE Seal: -10°C to 180°C

Graphite Seal: -10°C to 220°C

Pressure: 0.03Mpa~1.6Mpa

Port Size: 3/8", 1/2", 3/4", 1", 1 1/4", 1 1/2", 2"

Port Thread: BSPP, BSPT, NPT, FLANGE

Orifice(mm): 12, 15, 20, 25, 32, 40, 50

Voltage: DC-12V, 24V

AC-24V, 120V, 240V/60Hz; 110V, 220V/50Hz

Tolerance: ±10%

Coils: S32B,40VA(AV),18W(DC),IP65, 100%ED

S42B,50VA(AV),20W(DC),IP65, 100%ED

Material: Body - Brass or stainless steel

Seal - VITON or PTFE

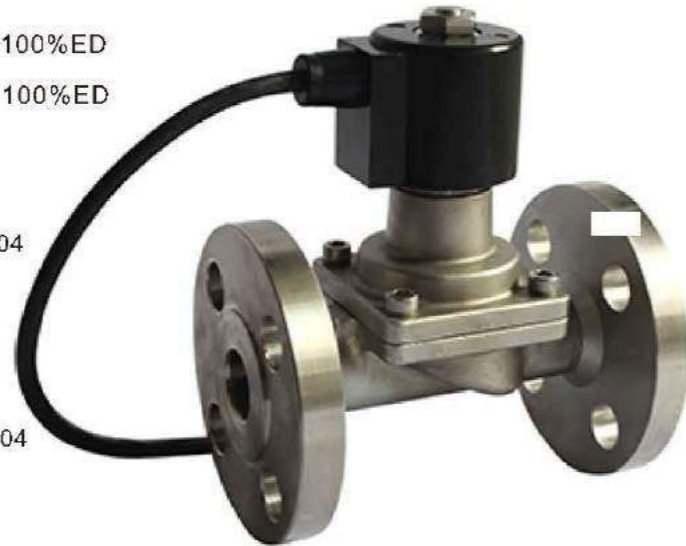
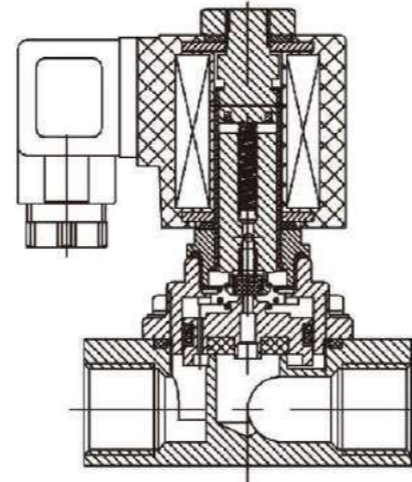
Armature Tube - Stainless Steel304

Plunger - Stainless Steel 430F

Stop - SS 403F

Springs - SS 304

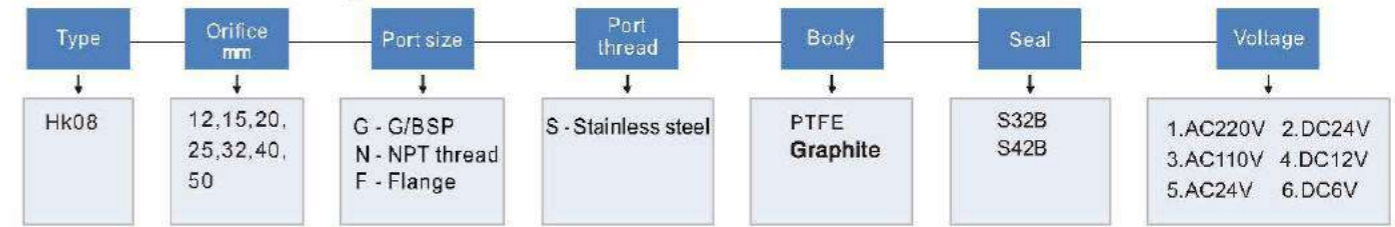
Shading Rings - Stainless Steel 304



Coils Parameters

Model	Picture	Voltage	Motor Power	Protection Class	Available For	Outline Size Drawing
Y32B		1.AC220V 2.AC110V 3.AC24V 1.DC24V 2.DC12V 3.DC6V <i>Special voltage can be customized</i>	40VA 18W	IP65	DN10 DN15 DN20 DN25	
Y42B		1.AC220V 2.AC110V 3.AC24V 1.DC24V 2.DC12V 3.DC6V <i>Special voltage can be customized</i>	50VA 20W	IP65	DN32 DN40 DN50	

Determine Valve Body Code



EXMAPLE:HK08 SERIES, NC, 25MM ORIFICE, 1"G, STAINLESS BODY, PET SEAL, COIL S21H, AC220V, DIN

Technical Parameters

Size	Port Size	Orifice mm	Cv	Min Pressure	Max Pressure	Operating Temperature	Weight
HK08-12	3/8"	12	4.5	0.03MPa	1.6MPa	PTFE -10°C~180°C Graphite -10°C~220°C	
HK08-15	1/2"	15	4.5	0.03MPa	1.6MPa		
HK08-20	3/4"	20	9.3	0.03MPa	1.6MPa		
HK08-25	1"	25	12	0.03MPa	1.6MPa		
HK08-32	1-1/4"	32	24	0.03MPa	1.6MPa		
HK08-40	1-1/2"	40	29	0.03MPa	1.6MPa		
HK08-50	2"	50	48	0.03MPa	1.6MPa		
HK08F-25	1"	25	12	0.03MPa	1.6MPa		
HK08F-32	1-1/4"	32	24	0.03MPa	1.6MPa		
HK08F-40	1-1/2"	40	29	0.03MPa	1.6MPa		
HK08F-50	2"	50	48	0.03MPa	1.6MPa		

Outline Size Drawing

Hk08 Thread

Size	A	B	C
DN15	68.5	48.5	121.3
DN20	78	57	127
DN25	89	65.5	131
DN32	120	94	177
DN40	120	94	177
DN50	159	143	210

Hk08 Flange

Size	A	B	C	D	n-φd	E
DN15						
DN20						
DN25						
DN32						
DN40						
DN50						

Characteristic: 1. Pilot operated diaphragm construction with less power consumption for longtime working

2. Seal serves long-time working in pipeline system
3. Used for long-time working in pipeline system

Medium: Steam, Hot Water, Oil, etc.

Temperature: PTFE Seal: -10°C to 180°C

Graphite Seal: -10°C to 220°C

Pressure: 0.05Mpa~1.6Mpa

Port Size: 3/8", 1/2", 3/4", 1", 1 1/4", 1 1/2", 2"

Port Thread: G, BSP, NPT

Orifice(mm): 12, 15, 20, 25, 32, 40, 50

Voltage: DC-12V, 24V, 36V

AC-24V, 120V, 240V/60Hz; 110V, 220V/50Hz

Tolerance: ±10%

Coils: S21H, 24VA(AC), 18W(DC), Ip65, 100%ED

Material: Body - Brass or stainless steel

Seal - VITON, NBR, EPDM

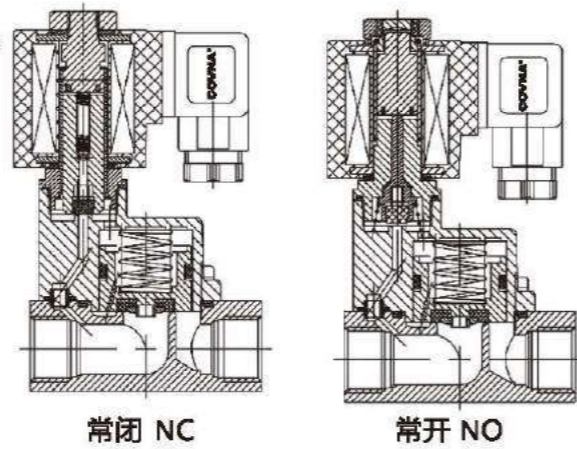
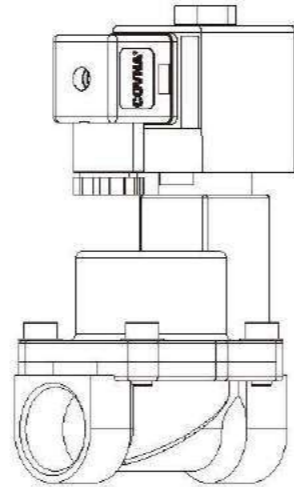
Armature Tube - Stainless Steel 304

Plunger - Stainless Steel 430F

Stop - SS 403F

Springs - SS 304

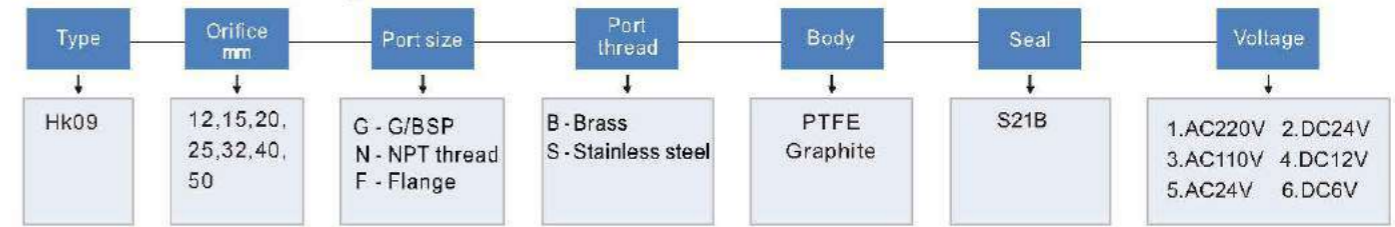
Shading Rings - Stainless Steel 304



Coils Parameters

Model	Picture	Voltage	Motor Power	Protection Class	Outline Size Drawing
S21B		1.AC220V 2.AC110V 3.AC24V 1.DC24V 2.DC12V 3.DC6V Special voltage can be customized	24VA 18W	IP65	

Determine Valve Body Code



EXMAPLE: HK08 SERIES, NC, 25MM ORIFICE, 1" G, STAINLESS BODY, PET SEAL, COIL S21H, AC220V, DIN

Technical Parameters

Size	Port Size	Orifice mm	Cv	Min Pressure	Max Pressure	Operating Temperature	Weight
HK09-12	3/8"	12	4.5	0.05MPa	1.6MPa	PTFE: -10°C~180°C Graphite: -10°C~220°C	
HK09-15	1/2"	15	4.5	0.05MPa	1.6MPa		
HK09-20	3/4"	20	9.3	0.05MPa	1.6MPa		
HK09-25	1"	25	12	0.05MPa	1.6MPa		
HK09-32	1-1/4"	32	24	0.05MPa	1.6MPa		
HK09-40	1-1/2"	40	29	0.05MPa	1.6MPa		
HK09-50	2"	50	48	0.05MPa	1.6MPa		
HK09F-25	1"	25	12	0.05MPa	1.6MPa		
HK09F-32	1-1/4"	32	24	0.05MPa	1.6MPa		
HK09F-40	1-1/2"	40	29	0.05MPa	1.6MPa		
HK09F-50	2"	50	48	0.05MPa	1.6MPa		

Outline Size Drawing

Hk09 Thread

Size	A	B	C
DN12	73	48	113
DN15	73	48	113
DN20	83	60	125
DN25	100	72	138
DN32	130	96	140
DN40	130	96	140
DN50	155	122	149

Hk09 Flange

Size	A	B	C	D	n-φd	E
DN15						
DN 20						
DN25						
DN32						
DN40						
DN50						

Characteristic: 1. Pilot operated piston construction with low power consumption

2. Seal serves longtime at steam ambient

3. Used for long-time working in pipeline system

Medium: Steam, Hot Water, Oil, etc.

Temperature: PTFE Seal: -10℃ to 180℃

Graphite Seal: -10℃ to 220℃

Pressure: 0.05Mpa~1.6Mpa NC

Port Size: 1/2", 3/4", 1", 1 1/4", 1 1/2", 2"

Port Thread: G, BSP, NPT

Orifice(mm): 12, 15, 20, 25, 32, 40, 50

Voltage: DC-12V, 24V, 36V

AC-24V, 120V, 240V/60Hz; 110V, 220V/50Hz

Tolerance: ±10%

Coils: Y21H, 28VA(AC), 22W(DC), Ip65, 100%ED

Material: Body - Brass or stainless steel

Seal - PET

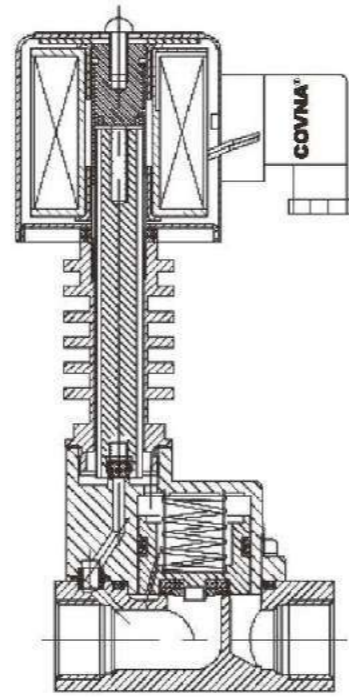
Armature Tube - Stainless Steel304

Plunger - Stainless Steel 430F


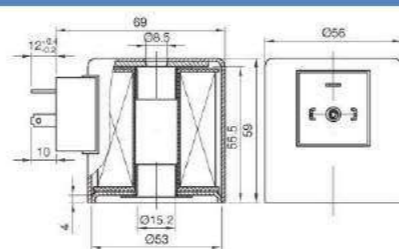

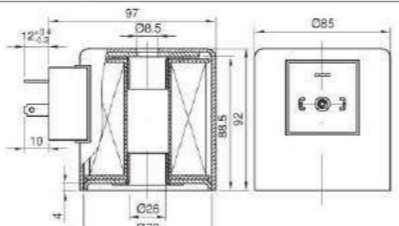
Stop - SS 403F

Springs - SS 304

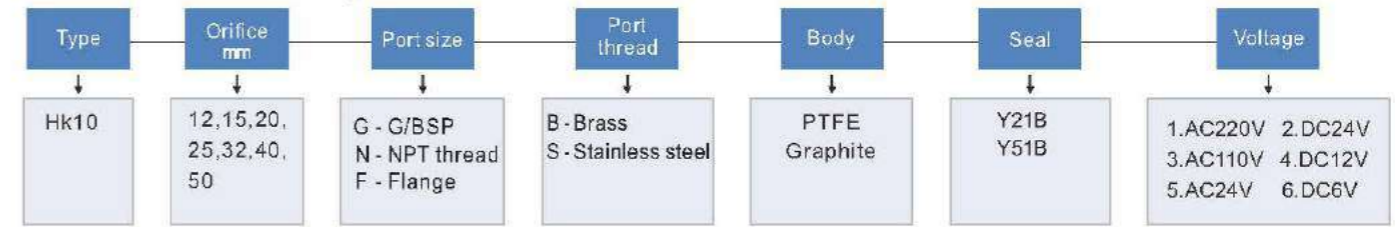
Shading Rings - Stainless Steel 304



Coils Parameters

Model	Picture	Voltage	Motor Power	Protection Class	Available For	Outline Size Drawing
Y21B		1.AC220V 2.AC110V 3.AC24V 1.DC24V 2.DC12V 3.DC6V <small>Special Voltage Can Be Customized</small>	18VA 16W	IP65	DN10 DN15 DN20 DN25	
Y51B		1.AC220V 2.AC110V 3.AC24V 1.DC24V 2.DC12V 3.DC6V <small>Special Voltage Can Be Customized</small>	70VA 50W	IP65	DN32 DN40 DN50	

Determine Valve Body Code



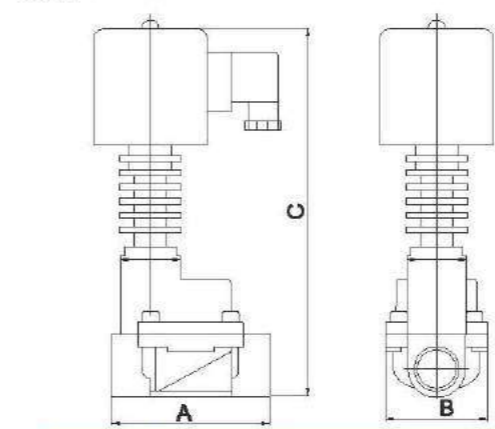
EXMAPLE:HK08 SERIES, NC, 25MM ORIFICE, 1"G, STAINLESS BODY, PET SEAL, COIL S21H, AC220V, DIN

Technical Parameters

Size	Port Size	Orifice mm	Cv	Min Pressure	Max Pressure	Operating Temperature	Weight
HK10-12	3/8"	12	4.5	0.05MPa	1.6MPa	PTFE: -10℃-180℃ Graphite: -10℃-220℃	
HK10-15	1/2"	15	4.5	0.05MPa	1.6MPa		
HK10-20	3/4"	20	9.3	0.05MPa	1.6MPa		
HK10-25	1"	25	12	0.05MPa	1.6MPa		
HK10-32	1-1/4"	32	24	0.05MPa	1.6MPa		
HK10-40	1-1/2"	40	29	0.05MPa	1.6MPa		
HK10-50	2"	50	48	0.05MPa	1.6MPa		
HK10F-25	1"	25	12	0.05MPa	1.6MPa		
HK10F-32	1-1/4"	32	24	0.05MPa	1.6MPa		
HK10F-40	1-1/2"	40	29	0.05MPa	1.6MPa		
HK10F-50	2"	50	48	0.05MPa	1.6MPa		

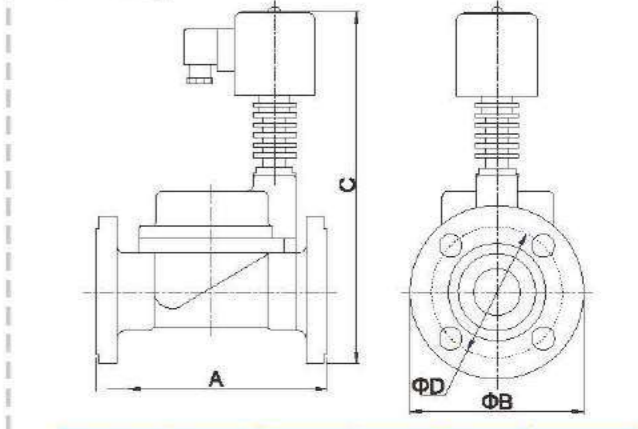
Outline Size Drawing

Hk10 Thread



阀体	A	B	C
DN15	73	48	176
DN20	83	60	189.5
DN25	100	72	189.5
DN32	130	96	214
DN40	130	96	214
DN50	155	122	228

Hk10 Flange



阀体	A	B	C	D	n-φd
DN15					
DN20					
DN25					
DN32					
DN40					
DN50					

Characteristic: with timer, automatically drain at settled time. Widely used in filter machine, separator, air tank, dripping feet and other air compressor system parts. Drain lasting time and separation time is adjustable.

Medium: Air, water

Fluid Temp: NBR: -5°C ~ 80°C
EPDM: -5°C ~ 100°C
VITON: -5°C ~ 120°C

Pressure: 0-1.6 Mpa

Port size: 1/2"

Thread: G thread

Orifice: 3.0mm

Voltage: DC-12V, 24V
AC-24V, 120V, 240V/60HZ; 110V, 220V/50HZ

Tolerance: ±10%

Coil: S11B, 24VA (AC), 18W (DC), IP65, 100%ED
S91B, 22VA (AC), 17W (DC), IP65, 100%ED

Material: Body-Brass or Stainless steel

Seal-NBR, EPDM, VITON

Tube-SS 304

Plunger-SS430F


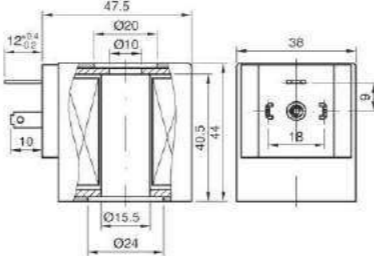

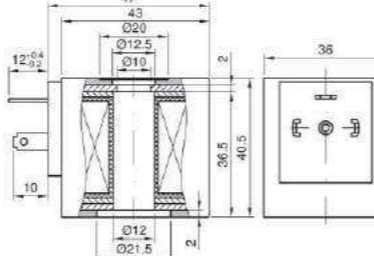
Stop-SS430F

Spring-SS304

Shading rings-red copper



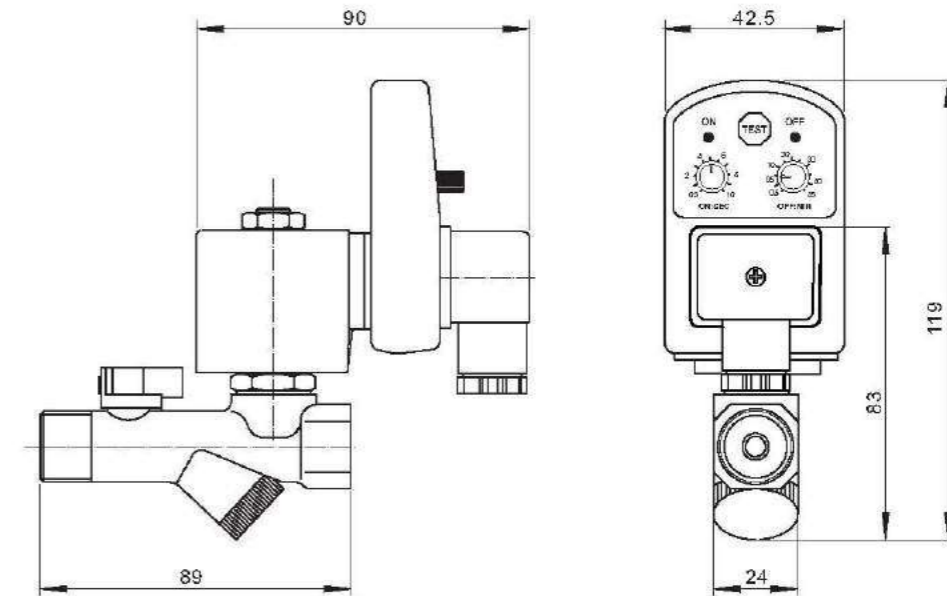
Coils Parameters

Model	Picture	Voltage	Motor Power	Protection Class	Outline Size Drawing
S21B		1.AC220V 2.AC110V 3.AC24V 1.DC24V 2.DC12V 3.DC6V Special voltage can be customized	24VA18W	IP65	
S91B		1.AC220V 2.AC110V 3.AC24V 1.DC24V 2.DC12V 3.DC6V Special voltage can be customized	22VA17W	IP65	

Specification of The Timer

MODEL	KLT-R
Power Supply Voltage	24~380V AC/DC-50HZ/60Hz for "CE"Marked Timer
The Largest Current Consumption	4mA Max
Ambient Temperature	-10°C~+50°C
Water Proof Grade	IP65-EN 60529
Shell Material	Flame Retardant Abs Plastic
Time Interval(OFF)	From 0.5 to 10s.
Discharge Time (NO)	From 0.5 to 45min
Indicator Lamp	Yellow LED
Manual Test Button	Test
Electrical Connection	DIN43650A

Outline Size Drawing



installation instructions

- Two position, two way, normal close switch, magnetic solenoid water valve
- Can be installed any angle, but it is a good choice when the horizontal tube keep upward
- Used to control automatically the liquid and gas in the pipeline

Characteristic: with timer, automatically drain at settled time. Widely used in filter machine, separator, air tank, dripping feet and other air compressor system parts. Drain lasting time and separation time is adjustable.

Medium: Air, water

Fluid Temp: NBR: -5°C ~ 80°C

EPDM: -5°C ~ 100°C

VITON: -5°C ~ 120°C

Pressure: 0-1.6 Mpa

Port size: 1/2"

Thread: G thread

Orifice: 3.0mm

Voltage: DC-12V, 24V

AC-24V, 120V, 240V/60HZ; 110V, 220V/50HZ

Tolerance: ±10%

Coil: S11B, 24VA (AC), 18W (DC), IP65, 100%ED

S91B, 22VA (AC), 17W (DC), IP65, 100%ED

Material: Body-Brass or Stainless steel

Seal-NBR, EPDM, VITON

Tube-SS 304

Plunger-SS430F

Stop-SS430F

Spring-SS304

Shading rings-red copper



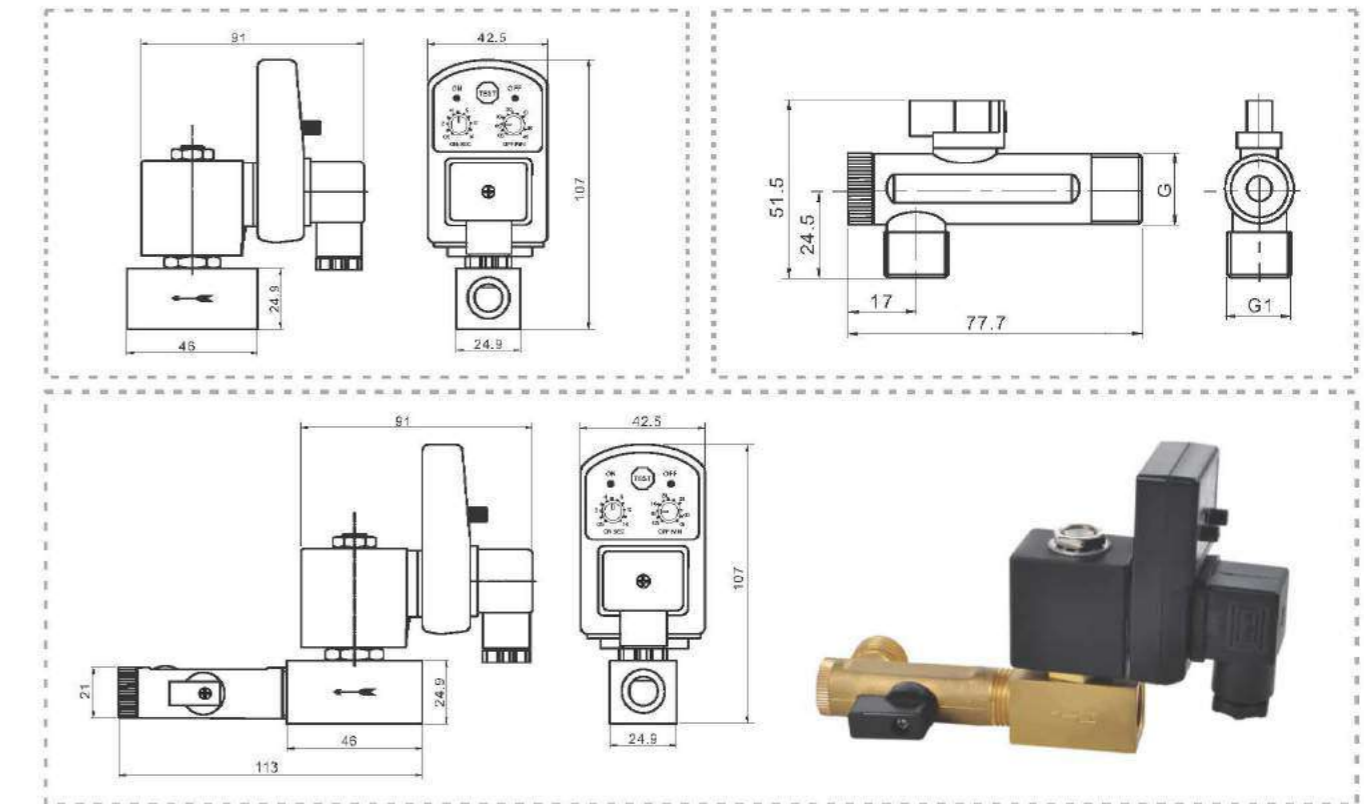
Coils Parameters

Model	Picture	Voltage	Motor Power	Protection Class	Outline Size Drawing
S21B		1.AC220V 2.AC110V 3.AC24V 1.DC24V 2.DC12V 3.DC6V Special voltage can be customized	24VA18W	IP65	
S91B		1.AC220V 2.AC110V 3.AC24V 1.DC24V 2.DC12V 3.DC6V Special voltage can be customized	22VA17W	IP65	

Specification of The Timer

MODEL	KLT-R
Power Supply Voltage	24-380V AC/DC-50HZ/60Hz for "CE"Marked Timer
The Largest Current Consumption	4mA Max
Ambient Temperature	-10°C ~ +50°C
Water Proof Grade	IP65-EN 60529
Shell Material	Flame Retardant Abs Plastic
Time Interval(OFF)	From 0.5 to 10s.
Discharge Time (NO)	From 0.5 to 45min
Indicator Lamp	Yellow LED
Manual Test Button	Test
Electrical Connection	DIN43650A

Outline Size Drawing



Installation Instructions

- Two position, two way, normal close switch, magnetic solenoid water valve
- Can be installed any angle, but it is a good choice when the horizontal tube keep upward
- Used to control automatically the liquid and gas in the pipeline

Characteristic: 1. Direct lifting diaphragm construction with high frequency

2. Open from 0 bar with large flow rate
3. Applied to low pressure system

Medium: Steam and Hot Water, Civil gas, Oil, etc.

Temperature: N-NBR: -5°C to 80°C

E-EPDM: -5°C to 100°C

V-VITON: -5°C to 120°C

Pressure: 0.0Mpa~1.0Mpa

Port Size: 3/8", 1/2", 3/4", 1", 1 1/4", 1 1/2", 2"

Port Thread: BSPP, BSPT, NPT

Orifice(mm): 15, 20, 25, 32, 40, 50

Voltage: DC-12V, 24V

AC-24V, 120V, 240V/60Hz; 110V, 220V/50Hz

Tolerance: ±10%

Coils: S91B, 22VA(AC), 17W(DC), IP65, 100%ED

SD01B, 28VA(AC), 36W(DC), IP65, 100%ED

Material: Body- Brass or stainless steel

Seal- VITON PTFE NBR EPDM

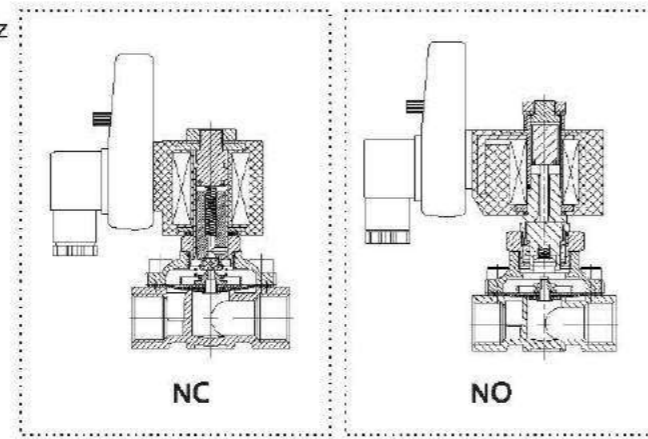
Armature Tube- Stainless Steel304

Plunger- Stainless Steel 430F

Stop- SS 403F

Springs-SS 304

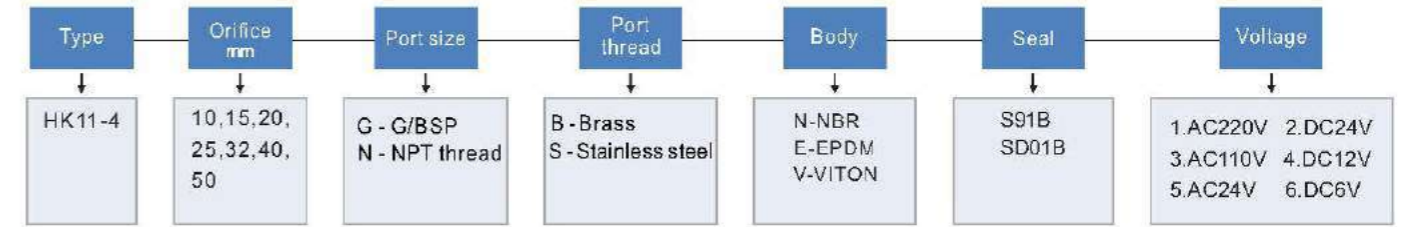
Shading Rings- Stainless Steel 304



Model	Picture	Voltage	Motor Power	Protection Class	Available For	Outline Size Drawing
S91B		1.AC220V 2.AC110V 3.AC24V 1.DC24V 2.DC12V 3.DC6V The voltage can be customized	22VA 17W	IP65	DN10 DN15 DN20 DN25	
SD01B		1.AC220V 2.AC110V 3.AC24V 1.DC24V 2.DC12V 3.DC6V The voltage can be customized	28VA 36W	IP65	DN32 DN40 DN50	

Model	Specification	Model	Specification
Power Supply Ciltage	24~380V AC/DC~50HZ/60Hz for "CE"Marked Timer	The Largest Current Consumption	4mA Max
Electrical Connection	DIN43650A	Water Proof Grade	IP65-EN 60529
Shell Material	Flame Retardant Abs Plastic	Time Interval (OFF)	From 0.5 to 10s.
Ambient Temperature	-10°C~+50°C	Discharge Time (NO)	From 0.5 to 45min
Manual Test Button	Test	Indicator Lamp	Yellow LED

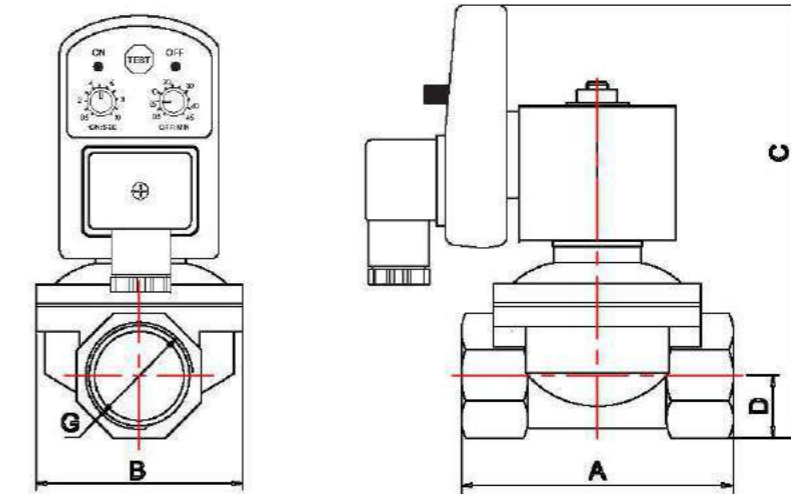
Determine Valve Body Code



EXMPLA: HK08 SERIES, NC, 25MM ORIFICE, 1"G, STAINLESS BODY, PET SEAL, COIL S21H, AC220V, DIN

Technical Parameters

Size	Port Size	Orifice mm	Cv	Min Pressure	Max Pressure		Operating Temperature		
					AC(22VA)	DC(17W)	NBR	EPDM	VITON
DN10	3/8"	10	4.5	0.0MPa	0.7MPa	0.7MPa	-5°C~80°C	-5°C~100°C	-5°C~120°C
DN15	1/2"	15	4.5	0.0MPa	0.7MPa	0.7MPa			
DN20	3/4"	20	9.3	0.0MPa	0.7MPa	0.7MPa			
DN25	1"	25	12	0.0MPa	0.7MPa	0.7MPa			
					AC(28VA)	DC(36W)			
DN32	1-1/4"	32	24	0.0MPa	1.0MPa	1.0MPa			
DN40	1-1/2"	40	29	0.0MPa	1.0MPa	1.0MPa			
DN50	2"	50	48	0.0MPa	1.0MPa	1.0MPa			



Size	G	A	B	C	D
DN10	3/8"	68	56	/	13.5
DN15	1/2"	66	56	/	13.5
DN20	3/4"	68	56	141	16.5
DN25	1"	97	76	/	20
DN32	1-1/4"	110	86	/	24
DN40	1-1/2"	114	93	/	28
DN50	2"	154	118	/	36

Characteristic: 1. High pressure solenoid valve with Pilot operated diaphragm construction for compress air machine, injecting plastic machine

2. With PARKER seals to improve the quality

Medium: Water, Hot Water, Compressed Air, Oil, etc.

Temperature: VITON Seal: -10°C to 150°C

Pressure: 0.03Mpa~5.0Mpa

Port Size: 3/8", 1/2", 3/4"

Port Thread: BSPP, BSPT, NPT, Flange

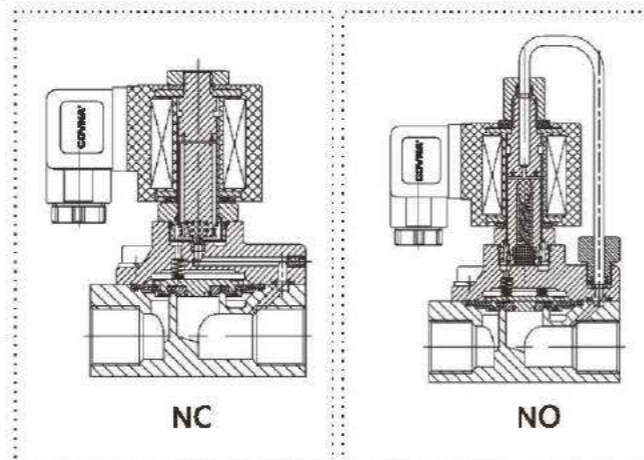
Orifice(mm): 15

Voltage: DC-12V, 24V
AC-24V, 120V, 240V/60Hz; 110V, 220V/50Hz

Tolerance: ±10%

Coils: S91B, 22VA(AC), 17W(DC), Ip65, 100%ED
0543, 22VA(AC), 13W(DC), Ip65, 100%ED

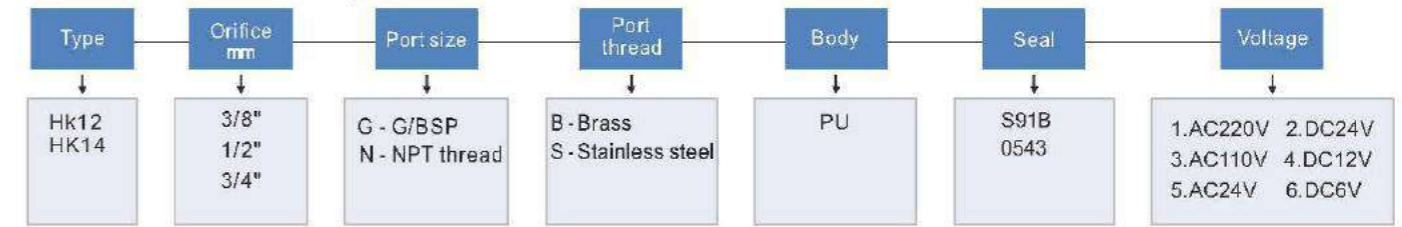
Material: Body - Brass or SUS 304
Seal - PU
Armature Tube - Stainless Steel304
Plunger - Stainless Steel 430F
Stop - SUS 403F
Springs - SUS 304
Shading Rings - Stainless Steel 304



Coils Parameters

Model	Picture	Voltage	Motor Power	Protection Class	Outline Size Drawing
S91B		1.AC220V 2.AC110V 3.AC24V 1.DC24V 2.DC12V 3.DC6V Special Voltage Can Be Customized	22VA 17W	IP65	
0543		1.AC220V 2.AC110V 3.AC24V 1.DC24V 2.DC12V 3.DC6V Special Voltage Can Be Customized	22VA 13W	IP65	

Determine Valve Body Code

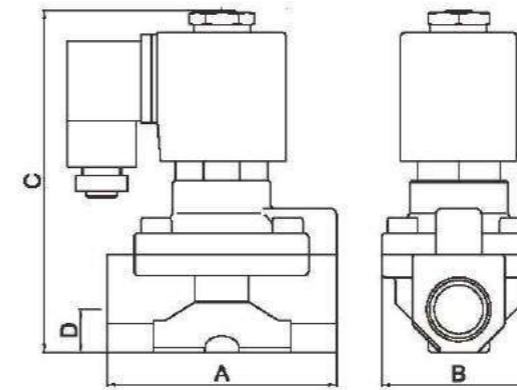


EXMAPLE:HK08 SERIES, NC, 25MM ORIFICE, 1\"G, STAINLESS BODY, PET SEAL, COIL S21H, AC220V, DIN

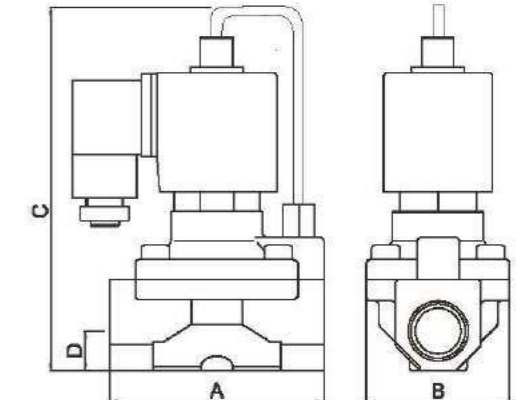
Technical Parameters

Size	Port Size	Orifice mm	Cv	Min Pressure	Max Pressure	Operating Temperature	Weight
DN12	3/8"	15	4.5	0.03MPa	5.0MPa	PU -30°C-150°C	
DN15	1/2"	15	4.5	0.03MPa	5.0MPa		
DN20	3/4"	15	4.5	0.03MPa	5.0MPa		

Outline Size Drawing



Size	A	B	C	D
HK14-12	75	50	108	14
HK14-15	75	50	108	14
HK14-20	75	50	108	14



Size	A	B	C	D
HK12-12	65.5	50	132	14
HK12-15	65.5	50	132	14
HK12-20	65.5	50	132	14

Characteristic: 1. Direct acting mini construction at low power consumption.

- 2. Compact design to save the space
- 3. Applied to low pressure system, open from 0 bar

Medium: Air, Water, Steam, Oil, etc.

Temperature: NBR Seal: 0°C to 80°C

EPDM Seal: -5°C to 100°C

VITON Seal: -5°C to 120°C

Pressure: 0.0Mpa~1.0Mpa

Port Size: 1/8", 1/4"

Port Thread: BSPP, BSPT, NPT

Orifice(mm): 1.6, 2.0, 2.5, 3.0, 3.5, 4.0, 5.0

Voltage: DC-12V, 24V, 36V

AC-24V, 120V, 240V/60Hz; 110V, 220V/50Hz

Tolerance: ±10%

Coils: S91B, 22VA(AC), 17W(DC), Ip65, 100%ED

SA11B, 9VA(AC), 6W(DC), Ip65, 100%ED

NASS COIL 0543 on request

Material: Body - Brass or stainless steel

Seal - VITON, NBR, EPDM,

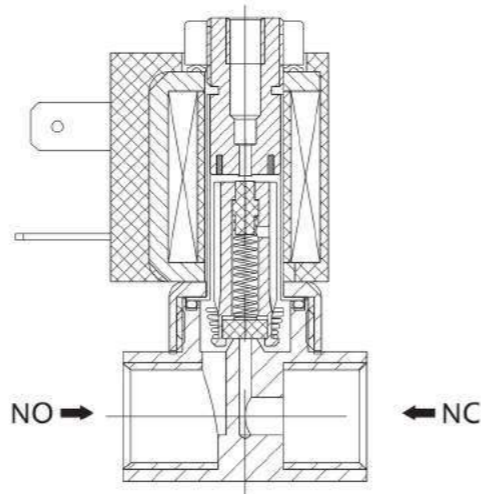
Armature Tube - Stainless Steel304

Plunger - Stainless Steel 430F

Stop - SS 403F

Springs - SS 304

Shading Rings - Stainless Steel 304



Coils Parameters

Model	Picture	Voltage	Motor Power	Protection Class	Outline Size Drawing
S91B		1.AC220V 2.AC110V 3.AC24V 1.DC24V 2.DC12V 3.DC6V <i>Special Voltage Can Be Customized</i>	22VA17W	IP65	
SA11B		1.AC220V 2.AC110V 3.AC24V 1.DC24V 2.DC12V 3.DC6V <i>Special Voltage Can Be Customized</i>	6.5W	IP65	

Determine Valve Body Code

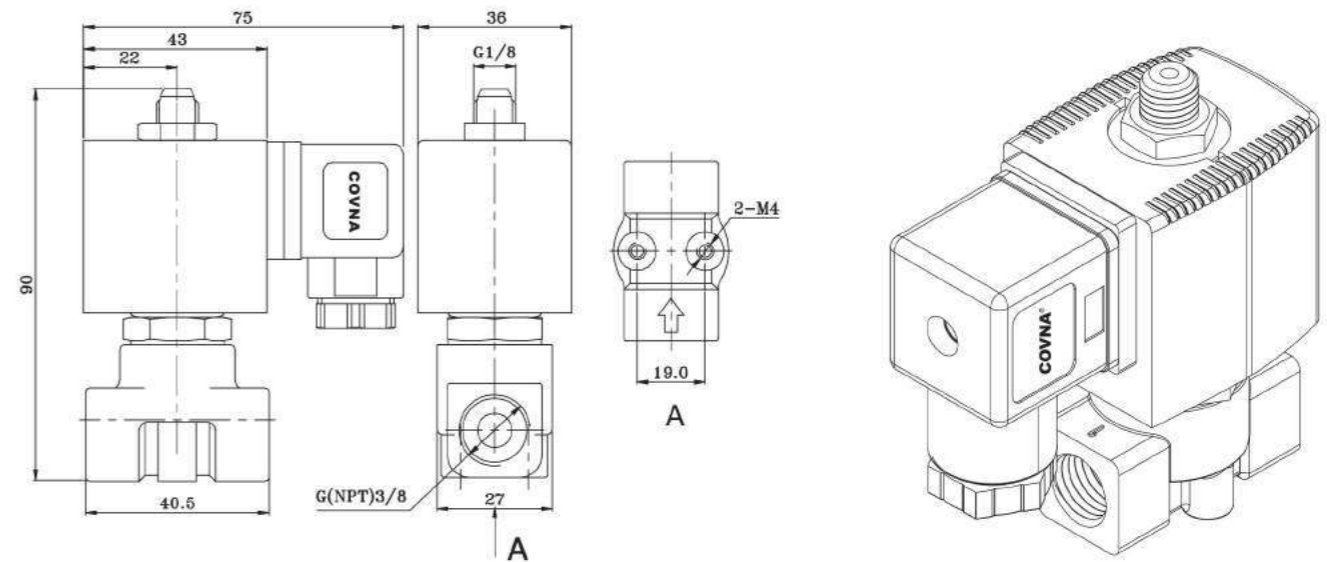
Type	Orifice mm	Port size	Port thread	Body	Seal	Voltage
HkG11	1/8" 1/4"	G - G/BSP N - NPT thread F - Flange	B -Brass S -Stainless steel	NBR EPDM VITON	S91B YA11B	1.AC220V 2.DC24V 3.AC110V 4.DC12V 5.AC24V 6.DC6V

EXMAPLE:HK08 SERIES, NC, 25MM ORIFICE, 1"G, STAINLESS BODY, PET SEAL, COIL S21H, AC220V, DIN

Technical Parameters

Size	Port Size	Orifice mm	Top Orifice mm	Cv	Min Pressure	Max Presuure	Operating Temperature	Weight
HKG11-06	1/8"	1.6	1.5	0.25	0.00MPa	1.0MPa	NBR : 0°C ~ 80°C EPDM : -5°C ~ 100°C VITON: -5°C ~ 120°C	
HKG11-06	1/8"	2.5	1.5	0.25	0.00MPa	1.0MPa		
HKG11-06	1/8"	3.0	1.5	0.35	0.00MPa	1.0MPa		
HKG11-06	1/8"	4.0	1.5	0.50	0.00MPa	1.0MPa		
HKG11-08	1/4"	1.6	1.5	0.25	0.00MPa	1.0MPa		
HKG11-08	1/4"	2.5	1.5	0.35	0.00MPa	1.0MPa		
HKG11-08	1/4"	3.0	1.5	0.4	0.00MPa	1.0MPa		
HKG11-08	1/4"	3.5	1.5	0.5	0.00MPa	1.0MPa		
HKG11-08	1/4"	4.0	1.5	0.61	0.00MPa	1.0MPa		

Outline Size Drawing



Characteristic: 1. Direct lifting diaphragm construction with high frequency

- Open from 0 bar with large flow rate
- Applied to low pressure system

Medium: Steam and Hot Water, Civil gas, Oil, etc.

Temperature: N-NBR: -5°C to 80°C

E-EPDM: -5°C to 100°C

V-VITON: -5°C to 120°C

Pressure: 0.0Mpa~1.0Mpa

Port Size: 3/8", 1/2", 3/4", 1", 1 1/4", 1 1/2", 2"

Port Thread: BSPP, BSPT, NPT, FLANGE

Orifice(mm): 15, 20, 25, 32, 40, 50

Voltage: DC-12V, 24V

AC-24V, 120V, 240V/60Hz; 110V, 220V/50Hz

Tolerance: ±10%

Coils: F14, 26VA(AC), 13W(DC), IP68, 100%ED

F24, 28VA(AC), 15W(DC), IP68, 100%ED

Material: Body- Brass or stainless steel UPVC

Seal- VITON PTFE NBR EPDM

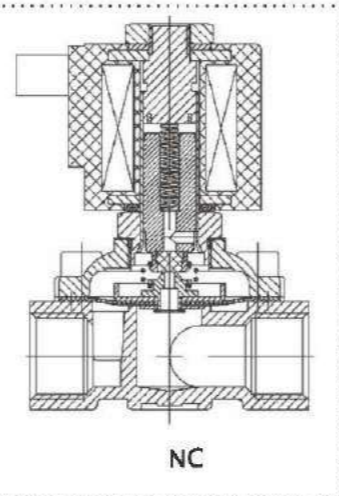
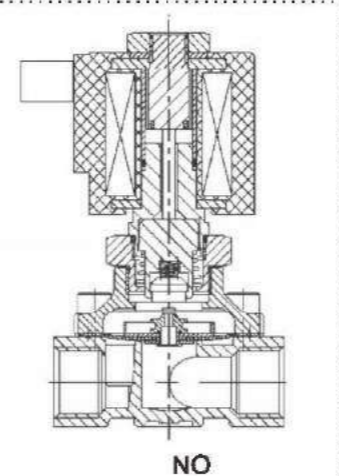
Armature Tube- Stainless Steel304

Plunger- Stainless Steel 430F

Stop- SS 403F

Springs-SS 304

Shading Rings-Stainless Steel 304



Model	Picture	Voltage	Motor Power	Protection Class	Available For	Outline Size Drawing
F14		1.AC220V 2.AC110V 3.AC24V 1.DC24V 2.DC12V 3.DC6V <i>The voltage can be customized</i>	26VA 13W	IP68	DN10 DN15 DN20 DN25	
F24		1.AC220V 2.AC110V 3.AC24V 1.DC24V 2.DC12V 3.DC6V <i>The voltage can be customized</i>	28VA 15W	IP68	DN32 DN40 DN50	

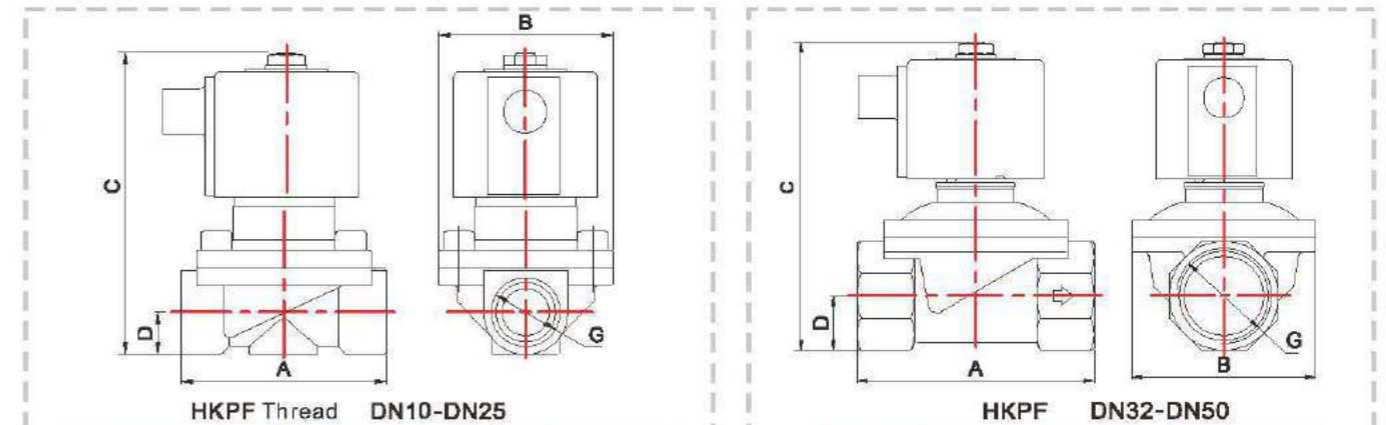
Determine Valve Body Code

Type	Orifice mm	Port size	Port thread	Body	Seal	Voltage
HKPF	10,15,20, 25,32,40, 50	G - G/BSP N - NPT thread F - Flange	B - Brass S - Stainless steel UPVC	N-NBR E-EPDM V-VITON	F14 F24	1.AC220V 2.DC24V 3.AC110V 4.DC12V 5.AC24V 6.DC6V

EXMAPLE:HK08 SERIES, NC, 25MM ORIFICE, 1"G, STAINLESS BODY, PET SEAL, COIL S21H, AC220V, DIN

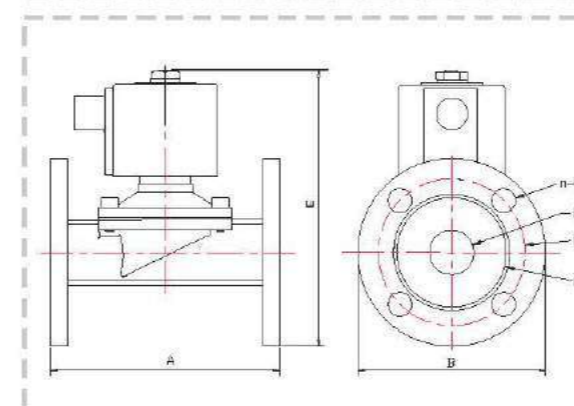
Technical Parameters

Size	Port Size	Orifice	Cv	Min Pressure	Max Pressure		Operating Temperature		
					AC(26VA)	DC(13W)	NBR	EPDM	VITON
HKPF-10	3/8"	10	4.5	0.0MPa	0.7MPa	0.7MPa	-5°C~80°C	-5°C~100°C	-5°C~120°C
HKPF-15	1/2"	15	4.5	0.0MPa	0.7MPa	0.7MPa			
HKPF-20	3/4"	20	9.3	0.0MPa	0.7MPa	0.7MPa			
HKPF-25	1"	25	12	0.0MPa	0.7MPa	0.7MPa			
					AC(28VA)	DC(15W)			
HKPF-32	1-1/4"	32	24	0.0MPa	1.0MPa	1.0MPa			
HKPF-40	1-1/2"	40	29	0.0MPa	1.0MPa	1.0MPa			
HKPF-50	2"	50	48	0.0MPa	1.0MPa	1.0MPa			



Size	HKPF-10	HKPF-15	HKPF-20	HKPF-25
A	68	68	68	97
B	56	56	56	76
C	NO	100	122	127
	NC	90	112	117
D	13.5	13.5	16.5	2

Size	HKPF-32	HKPF-40	HKPF-50
A	115	122	166
B	86	93	118.5
C	NO	153	160
	NC	153	160
D	24	28	36



Size	A	B	C	D	n-φd	E	
						NO	NC
HKPF-15	101	φ90	φ65	φ40	4-φ14	145	135
HKPF-20	103	φ100	φ75	φ48	4-φ14	157	147
HKPF-25	133	φ110	φ85	φ62	4-φ14	162	152
HKPF-32	142.5	φ132	φ100	φ66	4-φ18	185	185
HKPF-40	152	φ142	φ110	φ76	4-φ18	200	200
HKPF-50	178	φ155	φ125	φ96	4-φ18	212	212

Characteristic: 1. Direct lifting diaphragm construction with high frequency

- 2. Open from 0 bar with large flow rate
- 3. Applied to low pressure system

Medium: Steam and Hot Water, Civil gas, Oil, etc.

Temperature: N-NBR: -5°C to 80°C

E-EPDM: -5°C to 100°C

V-VITON: -5°C to 120°C

Pressure: 0.0Mpa~1.0Mpa

Port Size: 3/8", 1/2", 3/4", 1", 1 1/4", 1 1/2", 2"

Port Thread: BSPP, BSPT, NPT, FLANGE

Orifice(mm): 15, 20, 25, 32, 40, 50

Voltage: DC-12V, 24V

AC-24V, 120V, 240V/60Hz; 110V, 220V/50Hz

Tolerance: ±10%

Coils: Y32B, 40VA(AC), 18W(DC), IP65,100%ED

Y42B, 50VA(AC), 20W(DC), IP65,100%ED

Material: Body- Brass or stainless steel UPVC

Seal- VITON PTFE NBR EPDM

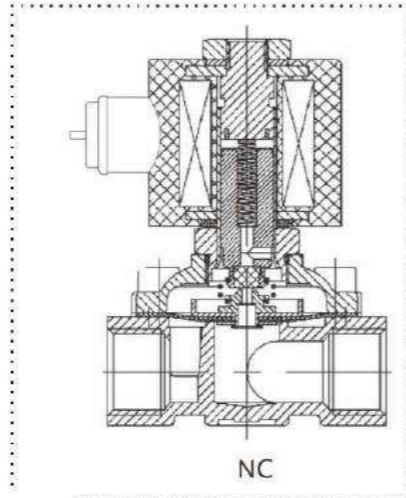
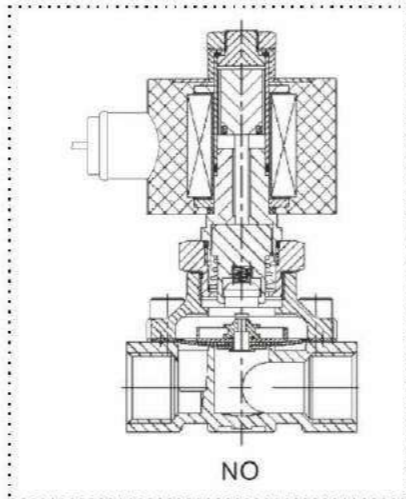
Armature Tube- Stainless Steel304

Plunger- Stainless Steel 430F

Stop- SS 403F

Springs-SS 304

Shading Rings-Stainless Steel 304



Model	Picture	Voltage	Motor Power	Protection Class	Available For	Outline Size Drawing
Y32B		1.AC220V 2.AC110V 3.AC24V 1.DC24V 2.DC12V 3.DC6V <i>The voltage can be customized</i>	40VA 18W	IP65	DN10 DN15 DN20 DN25	
Y42B		1.AC220V 2.AC110V 3.AC24V 1.DC24V 2.DC12V 3.DC6V <i>The voltage can be customized</i>	50VA 20W	IP65	DN32 DN40 DN50	

Determine Valve Body Code

Type	Orifice mm	Port size	Port thread	Body	Seal	Voltage
UW	10,15,20, 25,32,40, 50	G - G/BSP N - NPT thread F - Flange	B - Brass S - Stainless steel UPVC	N-NBR E-EPDM V-VITON	Y32B Y42B	1.AC220V 2.DC24V 3.AC110V 4.DC12V 5.AC24V 6.DC6V

EXMAPLE:HK08 25 G3N S21H2, HK08 SERIES, NC, 25MM ORIFICE, 1"G, STAINLESS BODY, PET SEAL, COIL S21H, AC220V, DIN

Technical Parameters

Size	Port Size	Orifice mm	Cv	Min Pressure	Max Pressure		Operating Temperature		
					AC(40VA)	DC(18W)	NBR	EPDM	VITON
UW-10	3/8"	10	4.5	0.0MPa	0.7MPa	0.7MPa	-5°C~80°C	-5°C~100°C	-5°C~120°C
UW-15	1/2"	15	4.5	0.0MPa	0.7MPa	0.7MPa			
UW-20	3/4"	20	9.3	0.0MPa	0.7MPa	0.7MPa			
UW-25	1"	25	12	0.0MPa	0.7MPa	0.7MPa			
					AC(50VA)	DC(20W)			
UW-32	1-1/4"	32	24	0.0MPa	1.0MPa	1.0MPa			
UW-40	1-1/2"	40	29	0.0MPa	1.0MPa	1.0MPa			
UW-50	2"	50	48	0.0MPa	1.0MPa	1.0MPa			

Thread **DN10-DN25**

Size	UW-10	UW-15	UW-20	UW-25
A	68	68	68	97
B	56	56	56	76
C	NO	95	115	120
	NC	92	112	117
D	13.5	13.5	16.5	20

Thread **DN32-DN50**

Size	UW-32	UW-40	UW-50
A	115	122	166
B	86	93	118.5
C	NO	153	160
	NC	153	160
D	24	28	36

Flange

Size	A	B	C	D	n-φd	E	
						NO	NC
UW-15	101	φ90	φ65	φ40	4-φ14	145	135
UW-20	103	φ100	φ75	φ48	4-φ14	157	147
UW-25	133	φ110	φ85	φ62	4-φ14	162	152
UW-32	142.5	φ132	φ100	φ66	4-φ18	185	185
UW-40	152	φ142	φ110	φ76	4-φ18	200	200
UW-50	178	φ155	φ125	φ96	4-φ18	212	212

Characteristic: 1. Direct lifting diaphragm construction with high frequency

- 2. High speed to open and close
- 3. Applied to gas

Medium: Civil gas

Temperature: NBR Seal: -5°C to 80°C

Pressure: 0.00Mpa~0.4Mpa

Port Size: 1/2", 3/4", 1", 1 1/4", 1 1/2", 2"

Port Thread: BSPP, BSPT, NPT

Orifice(mm): 15, 20, 25, 32, 40, 50

Voltage: DC-12V, 24V

AC-24V, 120V, 240V/60Hz; 110V, 220V/50Hz

Tolerance: ±10%

Coils: S91B, 22VA(AC), 17W(DC), Ip65, 100%ED

SD001B, 35VA(AC), 30W(DC), Ip65, 100%ED

Material: Body - Brass

Seal - VITON, EPDM, NBR

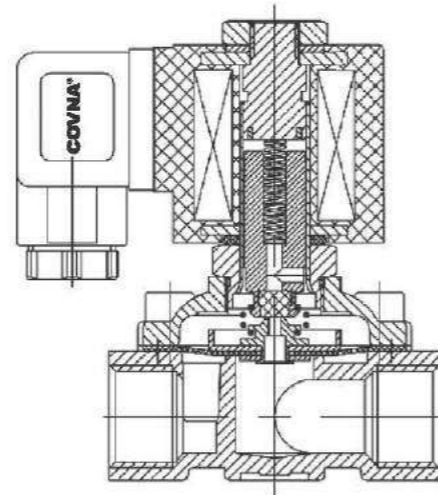
Armature Tube - Stainless Steel 304


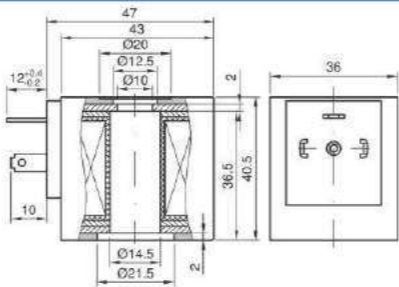

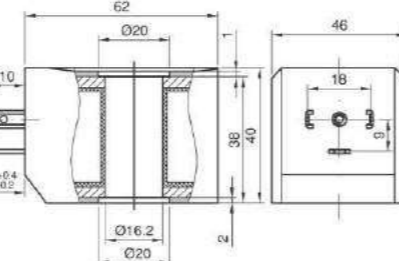
Plunger - Stainless Steel 430F

Stop - SS403F

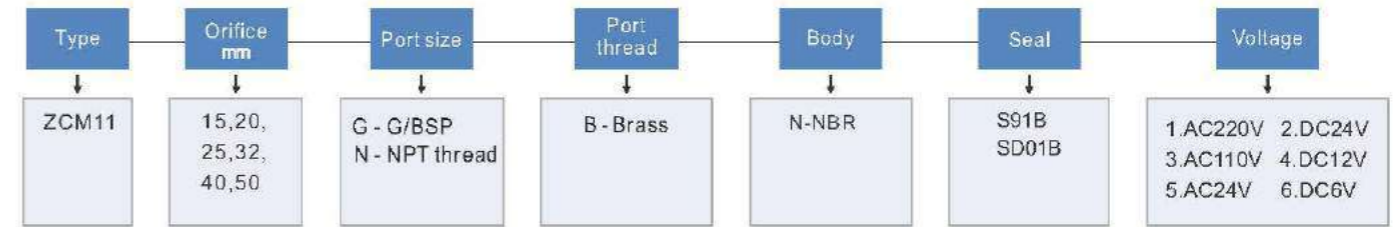
Springs - SS 304

Shading Rings - Stainless Steel 304



Model	Picture	Voltage	Motor Power	Protection Class	Outline Size Drawing
S91B		1. AC220V 2. AC110V 3. AC24V 1. DC24V 2. DC12V 3. DC6V <i>特殊电压可以定做</i>	22VA 17W	IP65	
SD01B		1. AC220V 2. AC110V 3. AC24V 1. DC24V 2. DC12V 3. DC6V <i>特殊电压可以定做</i>	28VA 36W	IP65	

Determine Valve Body Code



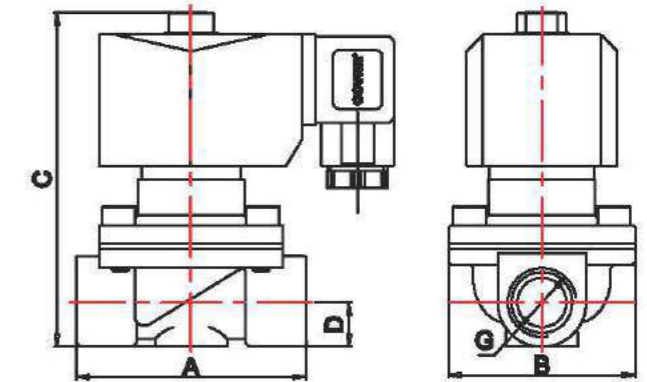
EXMAPLE:ZCM11 15 GBN S91B1, ZCM SERIES, NC, 15MM ORIFICE, 1/2"G, BRASS BODY, NBR SEAL, COIL S91B, AC220V, DIN

Technical Parameters

Size	Port Size	Orifice mm	Cv	Min Pressure	Max Pressure		Operating Temperature	Weight
					AC(22VA)	DC(17W)		
ZCM11-15	1/2"	15	4.5	0.0MPa	0.4MPa	0.4MPa	NBR -5°C-80°C	
ZCM11-20	3/4"	20	9.3	0.0MPa	0.4MPa	0.4MPa		
ZCM11-25	1"	25	12	0.0MPa	0.4MPa	0.4MPa		
ZCM11-32	1-1/4"	32	24	0.0MPa	0.4MPa	0.4MPa		
ZCM11-40	1-1/2"	40	29	0.0MPa	0.4MPa	0.4MPa		
ZCM11-50	2"	50	48	0.0MPa	0.4MPa	0.4MPa		

Outline Size Drawing

Size	G	A	B	C	D
DN15	1/2"	68	56	95	13.5
DN20	3/4"	68	56	102	16.5
DN25	1"	95	72	115.	20
DN32	1-1/4"	125	95	170	30
DN40	1-1/2"	125	95	170	30
DN50	2"	170	125	210	38



Characteristic: 1. Pilot operated piston construction with low power consumption

2. Seal serves longtime at steam ambient
3. Used for long-time working in pipeline system

Medium: Steam, Hot Water, Oil, etc.

Temperature: PTFE Seal: -10°C to 180°C

VITON Seal: -5°C to 120°C

Pressure: ZCT21: 0.0Mpa~1.0Mpa NC

Port Size: 3/8", 1/2", 3/4", 1"

Port Thread: BSPP, BSPT, NPT, Flange

Orifice(mm): 5, 10, 15, 20, 25

Voltage: DC-12V, 24V

AC-24V, 120V, 240V/60Hz; 110V, 220V/50Hz

Tolerance: ±10%

Coils: S21B, 20VA(AC), 18W(DC), Ip65, 100%ED

Y21B, 18VA(AC), 16W(DC), Ip65, 100%ED

Material: Body - Brass or stainless steel

Seal - PET

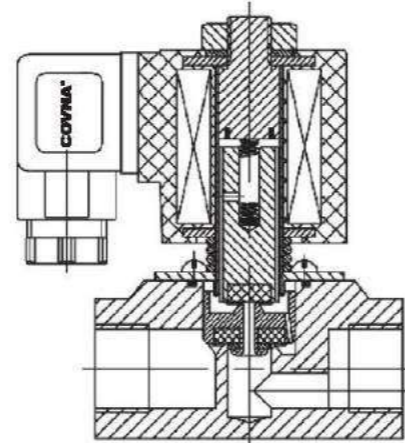
Armature Tube - Stainless Steel304

Plunger - Stainless Steel 430F


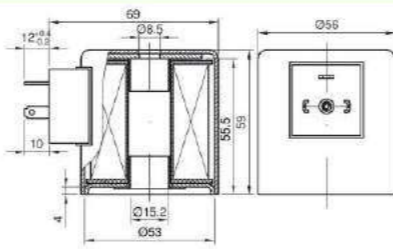

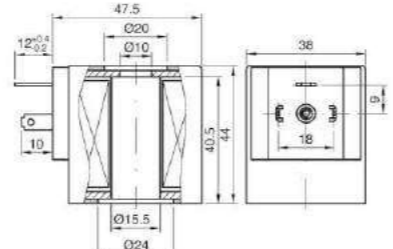
Stop - SS 403F

Springs - SS 304

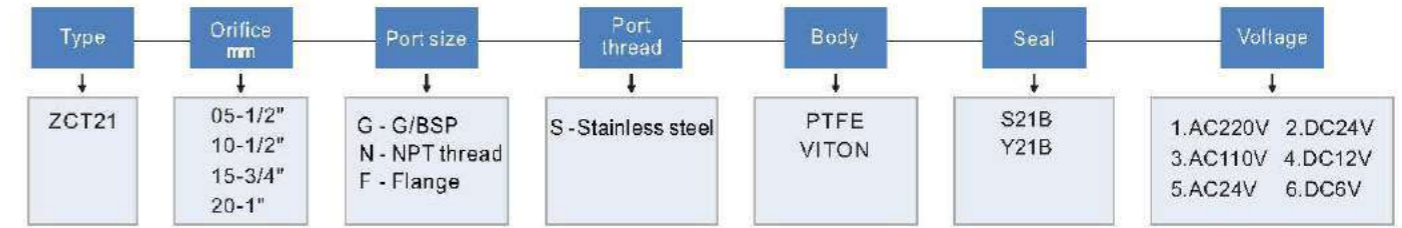
Shading Rings - Stainless Steel 304



Coils Parameters

Model	Picture	Voltage	Motor Power	Protection Class	Outline Size Drawing
Y21B		1. AC220V 2. AC110V 3. AC24V 1. DC24V 2. DC12V 3. DC6V <i>Special voltage can be customized</i>	18VA 16W	IP65	
S21B		1. AC220V 2. AC110V 3. AC24V 1. DC24V 2. DC12V 3. DC6V <i>Special voltage can be customized</i>	24VA 18W	IP65	

Determine Valve Body Code



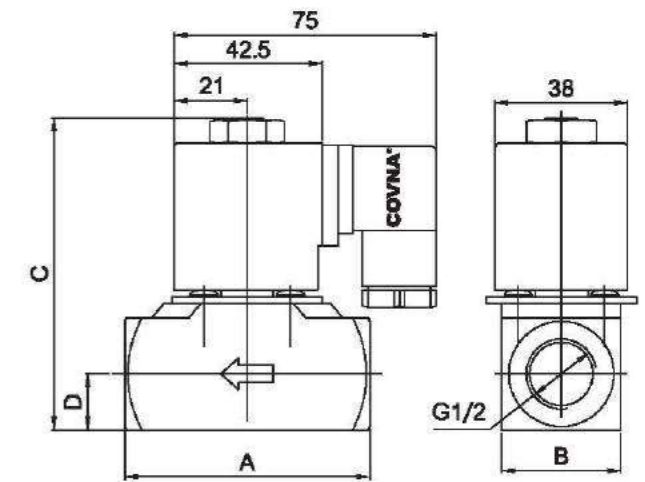
EXMAPLE:ZCT 25 GBN S21B1, ZCT SERIES, NC, 15MM ORIFICE, 1"G, STAINLESS STEEL BODY, NBR SEAL, COIL S21B, AC220V, DIN

Technical Parameters

Size	Port Size	Orifice mm	Cv	Min Pressure	Max Pressure	Operating Temperature	Weight
ZCT21-05	1/2"	05	0.5	0.00MPa	1.0MPa	PTFE -10°C~180°C	
ZCT21-15	1/2"	10	2.8	0.00MPa	1.0MPa		
ZCT21-20	3/4"	15	2.8	0.00MPa	1.0MPa	VITON -5°C~120°C	
ZCT21-25	1"	15	2.8	0.00MPa	1.0MPa		

Outline Size Drawing

Size	A	B	C	D
ZCT21-05	50	30	75	16
ZCT21-12	70	30	82	16
ZCT21-15	80	40	92	19
ZCT21-20	80	40	92	19
ZCT21-25	80	40	92	19



Characteristic: 1. Pilot operated piston construction with low power consumption

- 2. Seal serves longtime at steam ambient
- 3. Used for long-time working in pipeline system

Medium: Steam, Hot Water, Oil, etc.

Temperature: PTFE Seal: -10°C to 180°C

VITON Seal: -5°C to 120°C

Pressure: US: 0.03Mpa~1.6Mpa NC

Port Size: 1/2", 3/4", 1", 1 1/4", 1 1/2", 2"

Port Thread: G, BSP, NPT

Orifice(mm): 12, 15, 20, 25, 32, 40, 50

Voltage: DC-12V, 24V, 36V

AC-24V, 120V, 240V/60Hz; 110V, 220V/50Hz

Tolerance: ±10%

Coils: Y32B, 40VA(AC), 18W(DC), Ip65, 100%ED

Y42B, 50VA(AC), 20W(DC), Ip65, 100%ED

Material: Body - Brass or stainless steel

Seal - PET

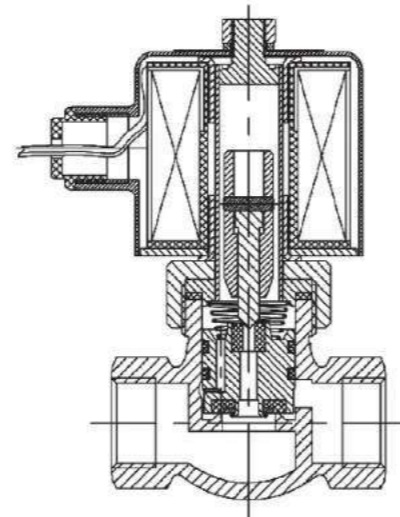
Armature Tube - Stainless Steel304

Plunger - Stainless Steel 430F


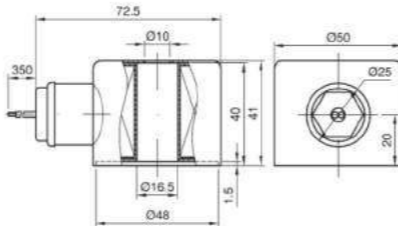

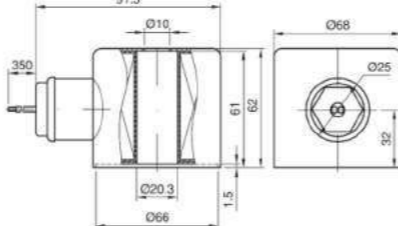
Stop - SS 403F

Springs - SS 304

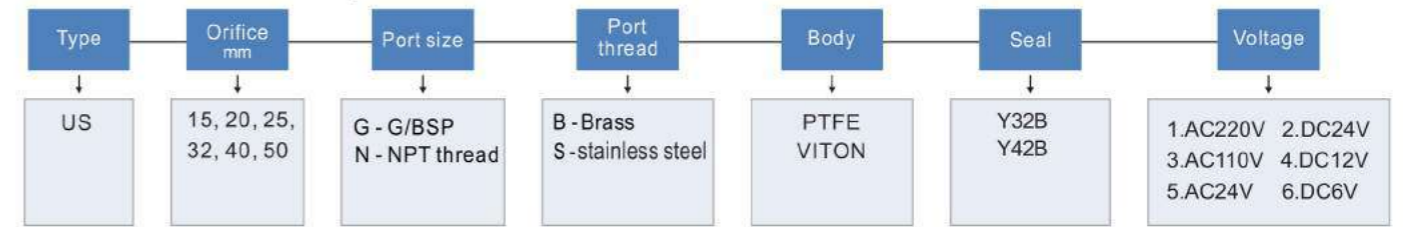
Shading Rings - Stainless Steel 304



Coils Parameters

Model	Picture	Voltage	Motor Power	Protection Class	Available For	Outline Size Drawing
Y32B		1.AC220V 2.AC110V 3.AC24V 1.DC24V 2.DC12V 3.DC6V <i>Special Voltage Can Be Customized</i>	40VA 18W	IP65	DN10 DN15 DN20 DN25	
Y42B		1.AC220V 2.AC110V 3.AC24V 1.DC24V 2.DC12V 3.DC6V <i>Special Voltage Can Be Customized</i>	50VA 20W	IP65	DN32 DN40 DN50	

Determine Valve Body Code



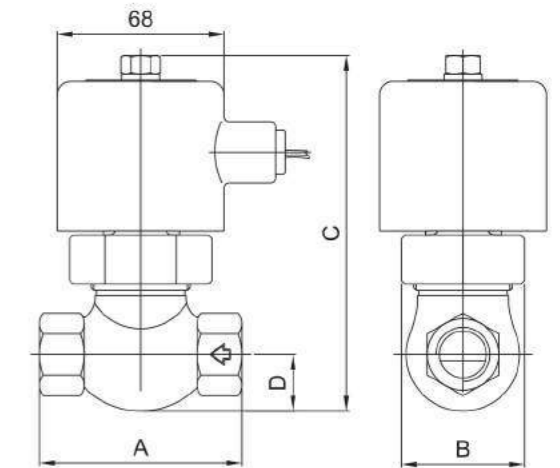
EXAMPLE: US 15 GBN Y41H1, US SERIES, NC, 15MM ORIFICE, 1/2"G, BRASS BODY, PTFE SEAL, COIL Y42H, AC220V, DIN

Technical Parameters

Size	Port Size	Orifice mm	Cv	Min Pressure	Max Pressure	Operating Temperature	Weight
DN15	1/2"	15	4.5	0.03MPa	1.6MPa	PTFE -10°C~180°C	
DN20	3/4"	20	9.3	0.03MPa	1.6MPa		
DN25	1"	25	12	0.03MPa	1.6MPa		
DN32	1-1/4"	32	24	0.03MPa	1.6MPa	VITON -5°C~120°C	
DN40	1-1/2"	40	29	0.03MPa	1.6MPa		
DN50	2"	50	48	0.03MPa	1.6MPa		

Outline Size Drawing

閥体	A	B	C	D
DN15	82	52	146	23
DN20	82	50	146	23
DN25	91	55	162	29
DN32	111	75	185	37
DN40	111	75	190	37
DN50	163	95	223	50



High Pressure Piston Pilot Operated

Characteristic: 1. High pressure solenoid valve with Pilot operated piston construction for compress air machine, injecting plastic machine
2. With PARKER seals to improve the quality

Medium: Water, Hot Water, Compressed Air, Oil, <20CST,GAS>

Temperature: PFT Seal:-40°C to 200°C

Pressure: 0.00Mpa~25.0Mpa

Port Size: 1/8", 1/4", 3/8"

Port Thread: BSPP, BSPT, NPT

Orifice(mm): 1.2, 2.0, 2.5, 3.0

Voltage: DC-12V, 24V
AC-24V, 120V, 240V/60Hz; 110V, 220V/50Hz

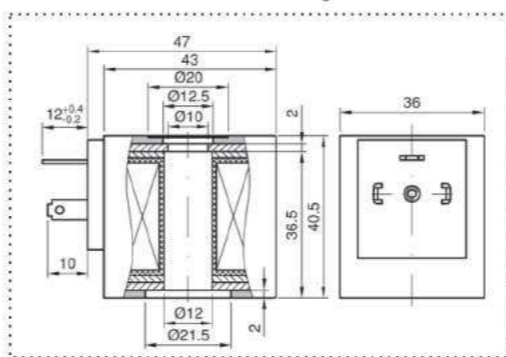
Tolerance: ±10%

Coils: S21B, 24VA(AC), 18W(DC), Ip65, 100%ED
NASS COIL 0543 on request

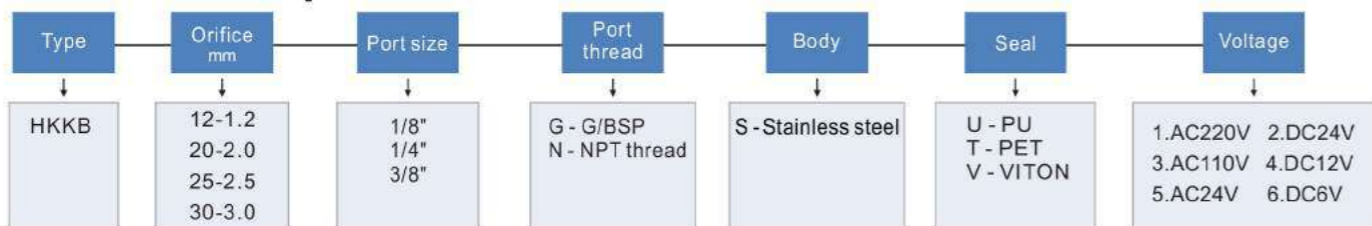
Material: Body - Brass or SUS 304
Seal - PET
Armature Tube - Stainless Steel304
Plunger - Stainless Steel 430F
Stop - SUS 403F
Springs - SUS 304
Shading Rings - Stainless Steel 304



Coils Outline Size Drawing



Determine Valve Body Code



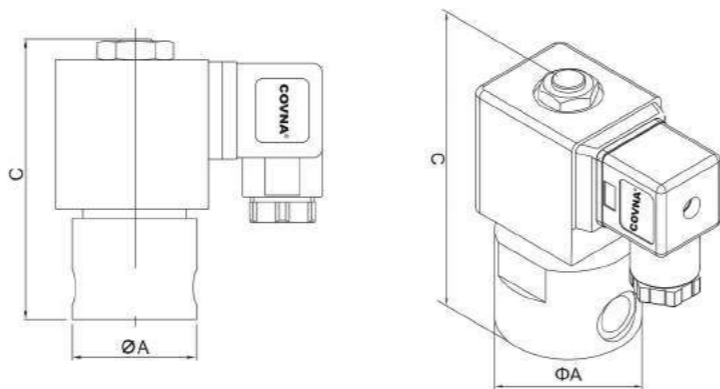
EXMAPLE: NC, 3.0MM ORIFICE, 1/4"G, STAINLESS STEEL BODY, PET SEAL, COIL S21B, AC220V, DIN

Technical Parameters

Size	Port Size	Orifice mm	Cv	Min Pressure	Max Pressure		Seals Material	Body Material	Coil
					AC(24VA)	DC(18W)			
HKKB-xx	1/8" 1/4"	1.2	0.03	0.01MPa	25MPa	25MPa	PET	SS304	S21B
HKKB-xx	1/8" 1/4"	2.0	0.09	0.01MPa	20MPa	20MPa			
HKKB-xx	1/4"	2.5	0.15	0.01MPa	15MPa	15MPa			
HKKB-xx	1/4"	3.0	0.24	0.01MPa	10MPa	10MPa			

Outline Size Drawing

Size	ØA	C
HKKB-1/8"	40	100
HKKB-1/4"	44	100
HKKB-3/8"	44	100



Characteristic: 1. High pressure solenoid valve with Pilot operated piston construction for compress air machine, injecting plastic machine

2. With PARKER seals to improve the quality

Medium: Water, Hot Water, Compressed Air, Oil, <20CST,GAS>

Temperature: PFT Seal:-40°C to 200°C

Pressure: 2WH31: 0.00Mpa~25.0Mpa

Port Size: 1/4", 3/8", 1/2"

Port Thread: BSPP, BSPT, NPT

Orifice(mm): 1.2, 2.0, 2.5, 3.0, 5.0, 8.0, 12.0

Voltage: DC-12V, 24V
AC-24V, 120V, 240V/60Hz; 110V, 220V/50Hz

Tolerance: ±10%

Coils: Ex1620, 21VA(AC), 16W(DC), IP65, 100%ED

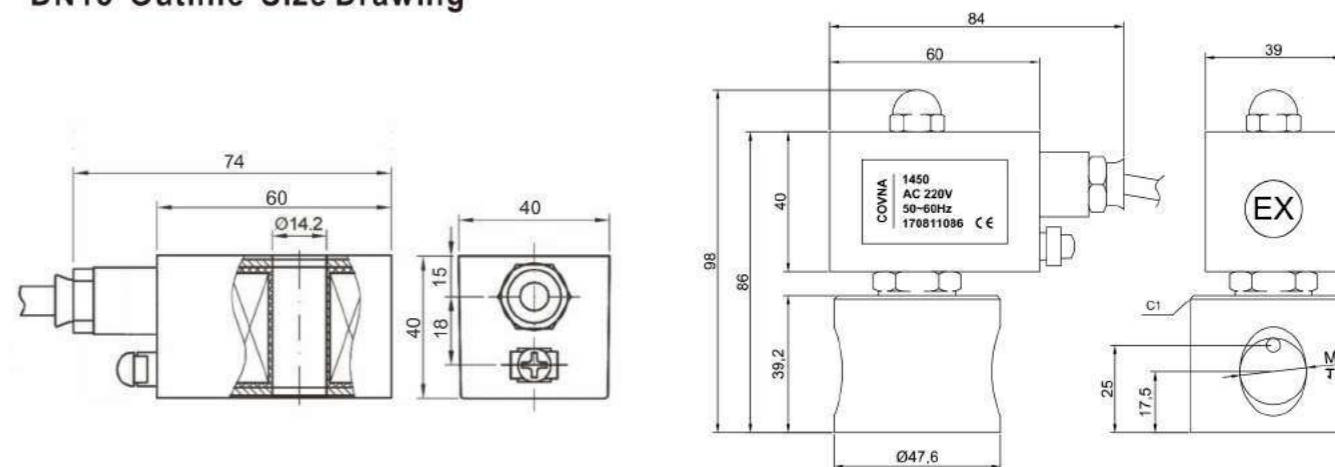
Material: Body - Brass or SUS 304
Seal - PET
Armature Tube - Stainless Steel304
Plunger - Stainless Steel 430F
Stop - SUS 403F
Springs - SUS 304
Shading Rings - Stainless Steel 304



DN15 Normally Closed with Coil

Size	Port Size	Orifice mm	Kv(m3/h)	Min Pressure	Max Pressure	Environment Temperature	Operating Temperature	Power Consumption	Switching Frequency
EX-HK 5231015	1/2"	15	2.52	0.1MPa	5.0MPa	-20°C to +55°C	0°C to +90°C	AC(VA) :14 DC(W) :8	≥1

DN15 Outline Size Drawing



- Characteristic: 1. Pilot operated piston construction with low power consumption
2. Seal serves longtime at steam ambient
3. Used for long-time working in pipeline system

Medium: Steam, Hot Water, Oil, etc.

Temperature: PTFE Seal: -10°C~180°C

VITON Seal: -5°C~120°C

Pressure: 0.03Mpa~1.0Mpa

Port Size: 1/2", 3/4", 1", 1 1/4", 1 1/2", 2"

Port Thread: BSPP, BSPT, NPT, Flange

Orifice(mm): 15, 20, 25, 32, 40, 50

Voltage: DC-12V, 24V

AC-24V, 120V, 240V/60Hz; 110V, 220V/50Hz

Tolerance: ±10%

Coils: Y21B, 18VA(AC), 16W(DC), Ip65, 100%ED

Y51B, 70VA(AC), 50W(DC), Ip65, 100%ED

Material: Body - Brass or stainless steel

Seal - PET

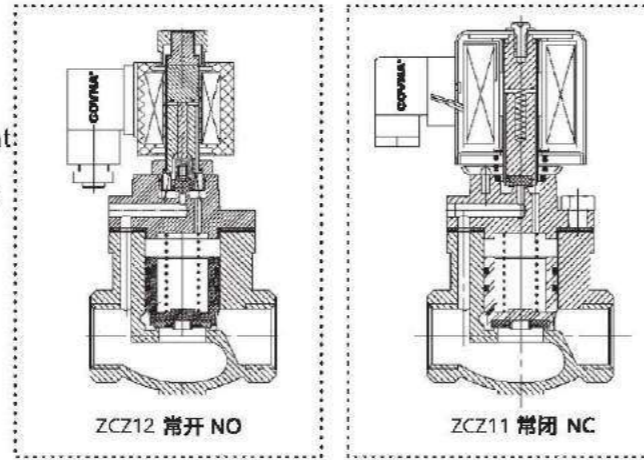
Armature Tube - Stainless Steel304

Plunger - Stainless Steel 430F

Stop - SS 403F

Springs - SS 304

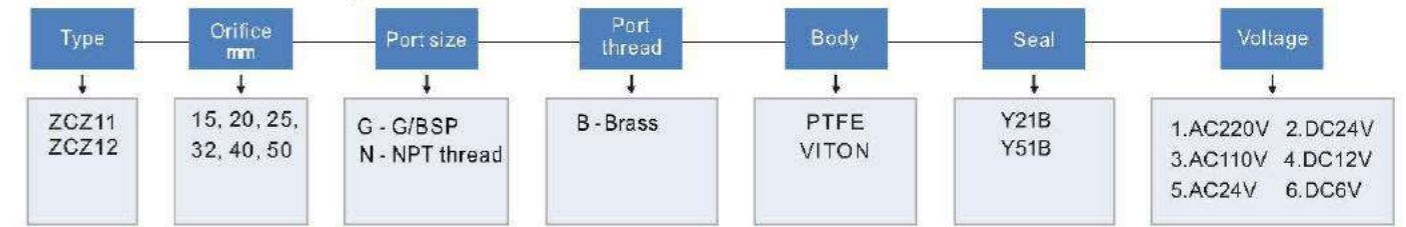
Shading Rings - Stainless Steel 304°C



Coils Parameters

Model	Picture	Voltage	Motor Power	Protection Class	Available For	Outline Size Drawing
Y21B		1.AC220V 2.AC110V 3.AC24V 1.DC24V 2.DC12V 3.DC6V <small>Special Voltage Can Be Customized</small>	18VA 16W	IP65	DN10 DN15 DN20 DN25	
Y51B		1.AC220V 2.AC110V 3.AC24V 1.DC24V 2.DC12V 3.DC6V <small>Special Voltage Can Be Customized</small>	70VA 50W	IP65	DN32 DN40 DN50	

Determine Valve Body Code



EXMAPLE: US 15 GBN Y41H1, US SERIES, NC, 15MM ORIFICE, 1/2" G, BRASS BODY, PTFE SEAL, COIL Y42H, AC220V, DIN

Technical Parameters

Size	Port Size	Orifice mm	Cv	Min Pressure	Max Pressure	Operating Temperature	Weight
DN15	1/2"	15	4.5	0.03MPa	1.0MPa	PTFE -10°C~180°C VITON -5°C~120°C	
DN20	3/4"	20	9.3	0.03MPa	1.0MPa		
DN25	1"	25	12	0.03MPa	1.0MPa		
DN32	1-1/4"	32	24	0.03MPa	1.0MPa		
DN40	1-1/2"	40	29	0.03MPa	1.0MPa		
DN50	2"	50	48	0.03MPa	1.0MPa		

Outline Size Drawing

Thread

阀体	A	B	C	D
DN15	70	60	150	22
DN20	80	65	160	25
DN25	100	80	170	30
DN32	140	80	210	30
DN40	140	110	200	43
DN50	140	110	205	48

Flange

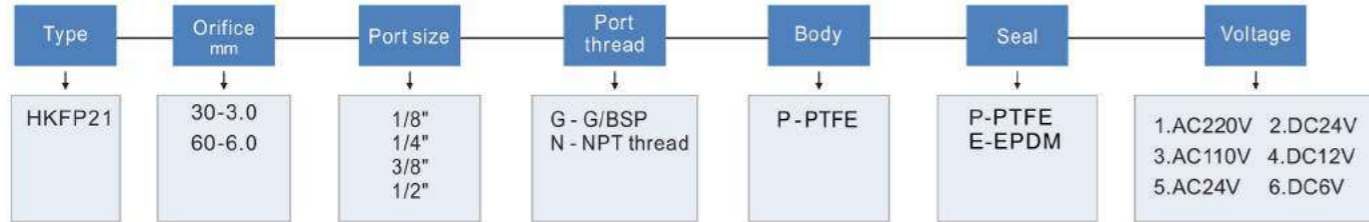
阀体	A	B	C	D	n-φd
DN15	100	φ95	190	φ65	4-φ14
DN20	120	φ105	210	φ75	4-φ14
DN25	120	φ115	210	φ85	4-φ14
DN32	135	φ140	220	φ100	4-φ18
DN40	155	φ150	220	φ110	4-φ18
DN50	165	φ165	240	φ125	4-φ18

Characteristic: With isolated diaphragm construction to rot-proof

- PTFE body for corrosion resistant
- Medium: Corrosive fluid and gas, Acid, Alkali, etc.
- Temperature: PTFE Seal:-20° C to 180°C
- Pressure: HKPF2: 0.0Mpa~0.15Mpa NC
- Port Size: 1/8", 1/4", 3/8", 1/2"
- Port Thread: BSPP, BSPT, NPT, Flange
- Orifice(mm): 3, 8
- Voltage: DC-12V, 24V
AC-24V, 120V, 240V/60Hz; 110V, 220V/50Hz
- Tolerance: ±10%
- Coils: Y82B, 35VA(AC), 30W(DC), 100%ED
YD1B, 8VA(AC), 8W(DC), 100%ED
- Material: Body - PTFE
Seal - PTFE
Armature Tube - Stainless Steel304
Plunger - Stainless Steel 430F
Stop - SS403F
Springs - SS 304
Shading Rings - Stainless Steel 304



Determine Valve Body Code

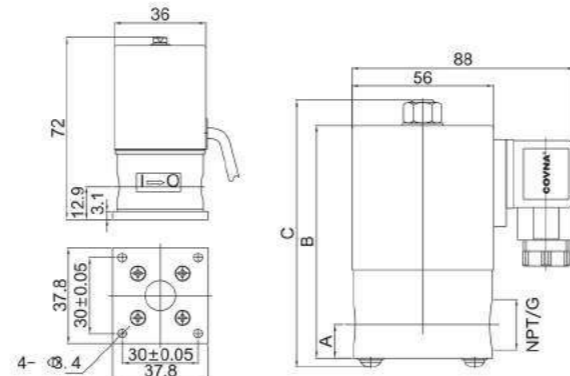


Technical Parameters

Size	Port Size	Orifice mm	Cv	Min Pressure	Max Pressure		Seals Material	Body Material	Coil
					AC(24VA)	DC(18W)			
HKFP2130XX	1/8"	3.0	0.1	0.0MPa	0.3MPa	0.3MPa	PTFE	PTFE	Y82B
					AC(20VA)	DC(28W)			YD1B
HKFP2160XX	1/4"	6.0	0.28	0.0MPa	0.15MPa	0.15MPa			YD1B
HKFP2160XX	3/8"	6.0	0.28	0.0MPa	0.15MPa	0.15MPa			YD1B
HKFP2160XX	1/2"	6.0	0.28	0.0MPa	0.15MPa	0.15MPa			YD1B
HKFP2160XX	3/4"	6.0	0.28	0.0MPa	0.15MPa	0.15MPa			YD1B
HKFP2160XX	1"	6.0	0.28	0.0MPa	0.15MPa	0.15MPa	YD1B		

Outline Size Drawing

Size	A	B	C	D
HKFP21XX	90	51	102	25
HKFP21XX	90	51	102	25
HKFP21XX	90	51	102	25



- Characterist:
- 1.Special structure reduces the transient pressure to prevent water hammer phenomena which will protect the valve and pipe system
 - 2.Life span can be at 1 million cycles
 - 3.Low noise,stable work
 - 4.Opened from low pressure with large flow
 - 5.Change the piloted head, can be used with explosion-proof coil Ex mb I/II T4
- Medium: LNG, LPG,Neutral gas or liquid
- Fluid temperature: VITON:-10°C-150°C
PTFE:-10 °C-180°C
- Ambient temperature:-10°C-50°C
- Pressure: 0.3-2.5Mpa, 0.3-4.0Mpa,0.3-5.0Mpa
- Orifice: 1/4", 3/8", 1/2", 3/4",1"
- Port size: 8mm,10mm,13mm,14mm,20mm,25mm
- Thread: BSPP, BSPT,NPT,UNF
- Voltage: DC12V DC24V
AC24,AC110V,AC220V, AC380V 50Hz/60Hz
- Voltage range: ±10%
- Coil: BD-A-3, IP65, 100%ED
- Body material: Brass
- Seals: VITON、PTFE



SPECIFICATION

Model	HK5231015B08	HK5231015B10	HK5231015B15	HK5231015B20	HK5231015B25
Orifice	13mm	13mm	13mm	25mm	25mm
Connection Ports	1/4"	3/8"	1/2"	3/4"	1"
Working Pressure	0.1~4.0Mpa				
Ambient Temp	-20°C~55°C				
Medium Temp	0~90°C				
Kv Valve(m3/h)	2.52	2.52	2.52	5.0	8.5
Power Consumption	AC(VA)	20	20	20	20
	DC (W)	13	13	13	13
Response Frequency	≥1Hz	≥1Hz	≥1Hz	≥0.5Hz	≥0.5Hz
Voltage	DC12V DC24V AC24V AC36V AC110V AC220V AC380V ± 10%				

OVERALL DIMENSION

Model	G	K	L	B	A
HK5231015B08	G1/4"	33.5	72	85	13
HK5231015B10	G3/8"	33.5	72	85	13
HK5231015B15	G1/2"	33.5	72	85	13
HK5231015B20	G3/4"	60	100	120	20
HK5231015B25	G1"	60	100	120	20

Characteristic: 1.Direct acting miniature construction at low consumption.
2.Compact design to save the space
3.Applied to low pressure system, open from 0 bar

Medium: Air, water, Steam, Oil, etc

Temperature: NBR Seal: 14F to 176F, -10 to 80
EPDM Seal: 14F to 250F, -10 to 120
VITON Seal: 14F to 300F, -10 to 150
PTFE Seal: -4F to 350F, -20 to 180

Pressure: 0 ~ 15 bar

Port Size: 1/8", 1/4"

Port Thread: BSPP, BSPT, NPT

Orifice(mm) 1.6, 2.0, 2.5, 3.0, 3.5, 4.0

Voltage: DC - 12v, 24V

AC - 24V, 120V, 240V/60HZ; 110V, 220V/50HZ

Tolerance: ±10%

Coils: S91B, 17VA (AC), IOW (DC), IP65, 1000/oED
NASS COIL 0543 on request

Material: Body - Brass or stainless steel

Seal -VITON,NBR,EPDM

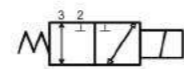
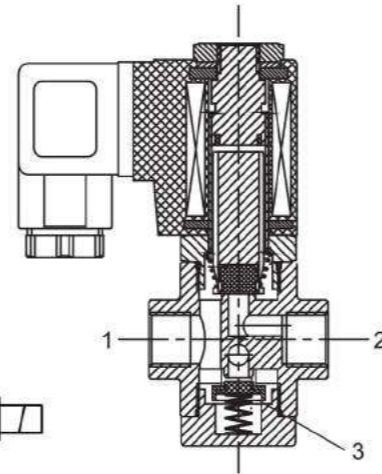
Armature Tube - Stainless Steel 304

Plunger - Stainless Steel 430F

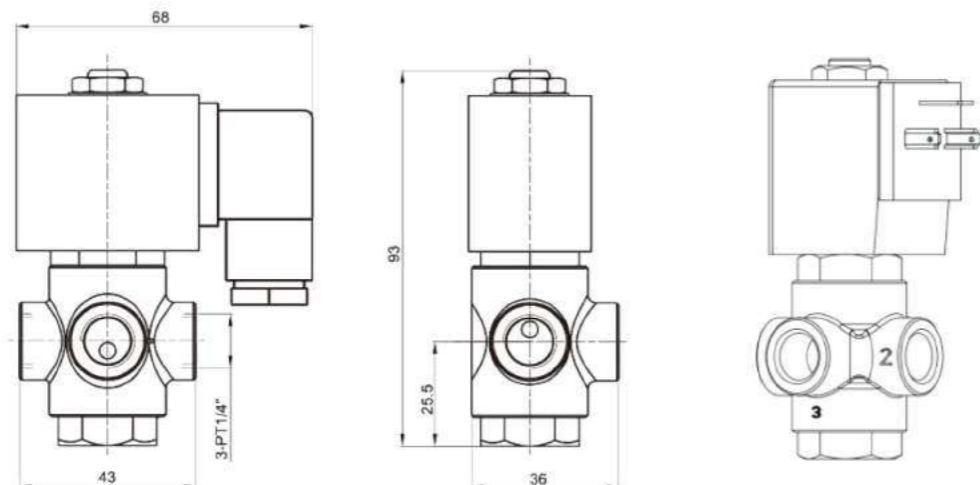
Stop -SS430F

Springs - ss 304

Shading Rings - Stainless Steel 304



Port State \ Power State	1 Inlet Port(HX23)			2 Inlet Port(CB23)			3 Inlet Port(CK23)		
	2	1	3	3	1	2	3	1	2
De-energized		→		↔			→		
Energized	←				←			↔	



Characteristic: 1. Pilot operated piston construction with low power consumption
2. Seal serves longtime at steam ambient
3. Used for long-time working in pipeline system

Medium: Steam, Hot Water, Oil, etc.

Temperature: PTFE Seal:-10°C~180°C

VITON Seal:-5°C~120°C

NBR Seal:-5°C~80°C

Pressure: 0.1Mpa~1.6Mpa

Port Size: 1/2", 3/4", 1", 1 1/4", 1 1/2", 2", 2 1/2", 3", 4", 5", 6", 7", 8"

Port Thread: BSPP, BSPT, NPT, Flange

Orifice(mm): 15, 20, 25, 32, 40, 50, 65, 80, 100, 125, 150, 200

Voltage: DC-12V, 24V

AC-24V, 120V, 240V/60Hz; 110V, 220V/50Hz

Tolerance: ±10%

Coils: Y32B,40VA(AC), 18W(DC), Ip65, 100%ED
Y42B,50VA(AC),20W(DC), Ip65, 100%ED

Material: Body - Cast Iron

Seal - PET

Armature Tube - Stainless Steel304

Plunger - Stainless Steel 430F

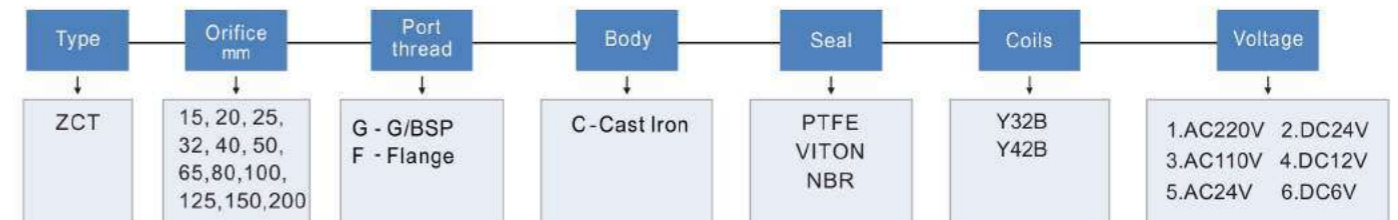
Stop - SS 403F

Springs - SS 304

Shading Rings - Stainless Steel 304°C



Determine Valve Body Code



Technical Parameters and Outline Size

Specification	Port Size	Connection	Working Pressure	Power	Medium And Temperature	Dimension		
						Length	Width	High
ZCT15	15	G1/2"	0.1~1.6MPa	≥20	PTFE: -10°C~180°C VITON: -5°C~120°C NBR: -5°C~80°C	68	47	96
ZCT20	20	G3/4"	0.1~1.6MPa			82	52	105
ZCT25	25	G1"	0.1~1.6MPa			98	63	126
ZCT32	32	G1 1/4"	0.1~1.6MPa	≥30		117	77	143
ZCT40	40	G1 1/2"	0.1~1.6MPa			131	90	160
ZCT40	40	Flange 4 Ports Ø18*Ø110	0.1~1.6MPa			165	150	140
ZCT50	50	Flange 4 Ports Ø18*Ø125	0.1~1.6MPa	≥35		215	160	235
ZCT65	65	Flange 4 Ports Ø18*Ø145	0.1~1.6MPa			252	175	260
ZCT80	80	Flange 8 Ports Ø18*Ø160	0.1~1.6MPa			275	195	280
ZCT100	100	Flange 8 Ports Ø18*Ø180	0.1~1.6MPa	≥50		315	220	310
ZCT125	125	Flange 8 Ports Ø18*Ø210	0.1~1.6MPa			410	300	390
ZCT150	150	Flange 8 Ports Ø23*Ø240	0.1~1.6MPa			460	330	440
ZCT200	200	Flange 12 Ports Ø23*Ø295	0.1~1.6MPa	480	420	540		

Direct Acting Solenoid Valve HKW Series

Characteristic: 1. Direct acting miniature construction at low power consumption
2. Food class body material available for RO system, washer, miller, etc.

Medium: Air, Water, Steam, etc.

Temperature: NBR Seal: -10°C to 80°C

EPDM Seal: -10°C to 80°C

VITON Seal: -10°C to 80°C

Pressure: HKW1: 0.0Mpa~0.7Mpa 2.5mm

HKW2: 0.0Mpa~0.7Mpa 2.5mm

HKW3: 0.0Mpa~0.7Mpa 2.5mm

HKW4: 0.0Mpa~0.05Mpa 10mm

HKW5: 0.0Mpa~0.05Mpa 10mm

HKWS6: 0.0Mpa~0.05Mpa 5mm

HKWS11: 0.0Mpa~0.7Mpa 2.5mm

Port Size: See the data below

Port Thread: BSPP, BSPT, NPT

Voltage: DC-12V, 24V

AC-24V, 120V, 240V/60Hz; 110V, 220V/50Hz

Tolerance: ±10%

Coils: AB12B, 6VA(AC), 6W(DC), Ip65, 100%ED

SA11B, 9VA(AC), 8W(DC), Ip65, 100%ED

SA12B, 9VA(AC), 8W(DC), Ip65, 100%ED

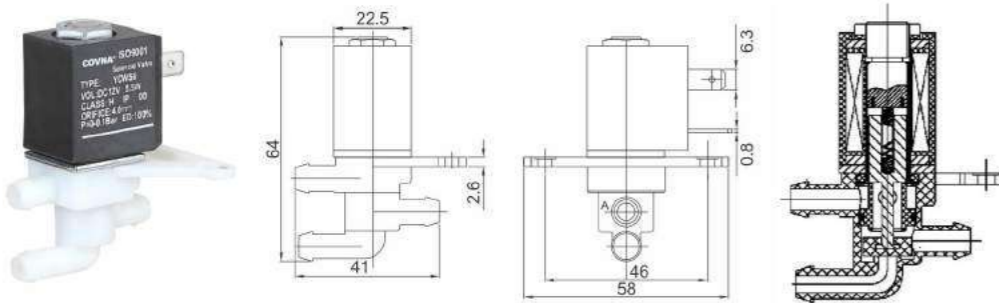
Material: Body - Brass

Seal - BSPP, BSPT, NPT, Silicon Rubber

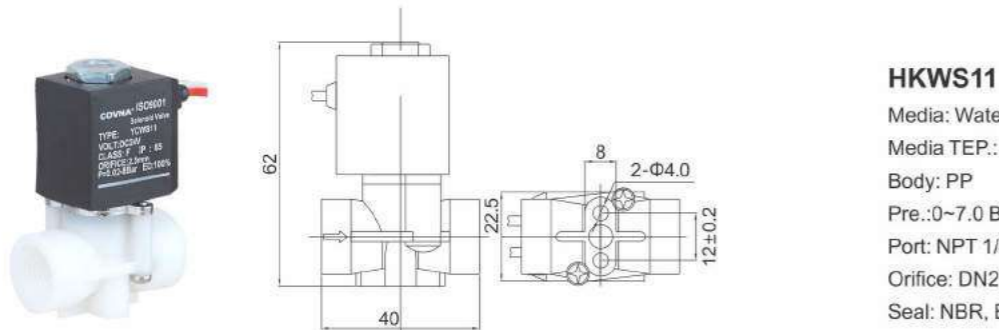
Plunger - Stainless Steel 430F

Stop - SS403F

Springs - SS 304

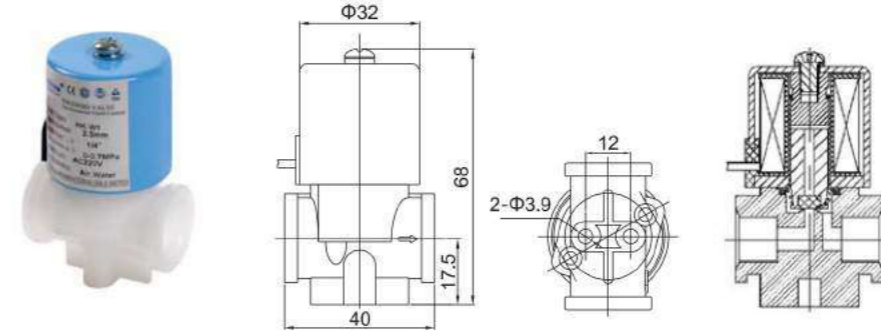


HKWS6
Media: Water, air, oil etc.
Media TEP.: -10°C~100°C
Body: POM
Pre.:0 - 0.5 Bar
Port: Φ8.4mm outer dia.
Orifice: DN5.0
Seal: Silicon rubber

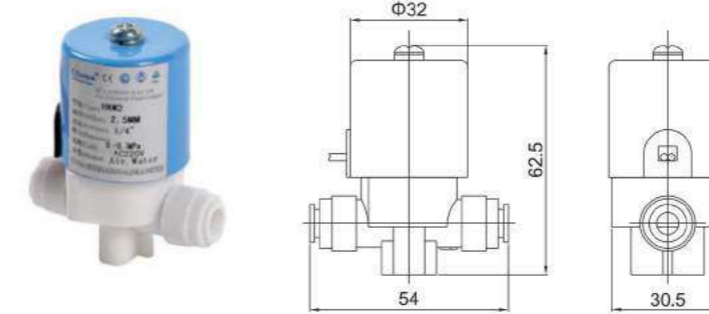


HKWS11
Media: Water, steam, oil, hot water etc.
Media TEP.: -10°C~80°C
Body: PP
Pre.:0~7.0 Bar
Port: NPT 1/4"
Orifice: DN2.5
Seal: NBR, EPDM, VITON

Direct Acting Solenoid Valve HKW Series



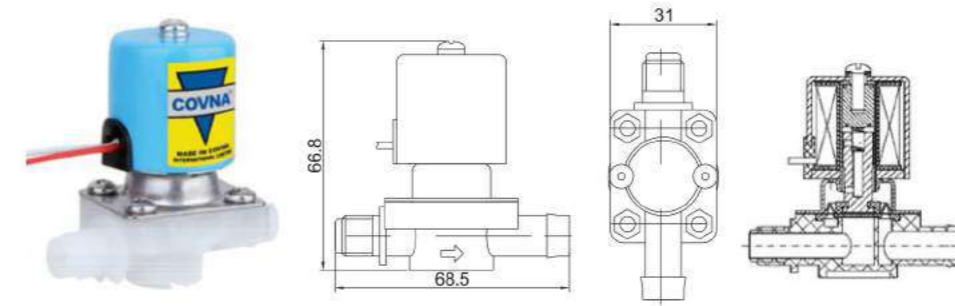
HKW1
Media: Water, steam, oil etc.
Media TEP.: -10°C~80°C
Body: PP
Pre.:0~7.0 Bar
Port: NPT 1/4"
Orifice: DN2.5
Seal: NBR, EPDM, VITON



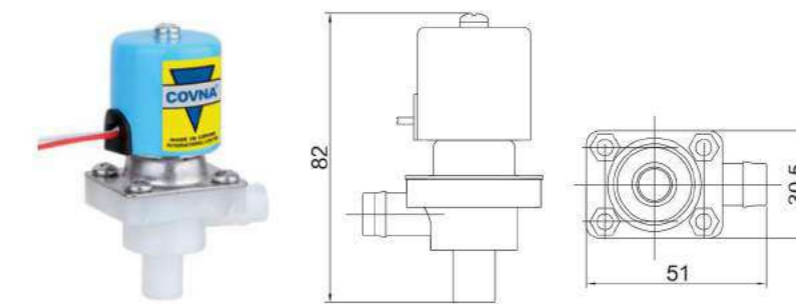
HKW2
Media: Water, steam, oil etc.
Media TEP.: -10°C~80°C
Body: POM
Pre.:0 - 7.0 Bar
Port: PE pipe with Φ6.35mm outer dia.
Orifice: DN2.5
Seal: NBR, EPDM, VITON



HKW3
Media: Water, steam, oil etc.
Media TEP.: -10°C~80°C
Body: POM
Pre.:0 - 7.0 Bar
Port: G1/8"
Orifice: DN2.3
Seal: NBR, EPDM, VITON



HKW4
Media: Water, steam, oil etc.
Media TEP.: -10°C~100°C
Body: PP
Pre.:0 - 0.5 Bar
Port: G1/4" with Φ12.5mm outer dia.
Orifice: DN10
Seal: Silica Gel



HKW5
Media: Water, steam, oil etc.
Media TEP.: -10°C~100°C
Body: PP
Pre.:0 - 0.5 Bar
Port: G1/4" with Φ12.5mm outer dia.
Orifice: DN10
Seal: Silica Gel

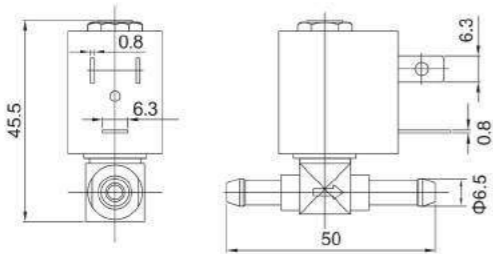
- Characteristic: 1. Direct acting miniature construction at low power consumption
 2. With TUV certificate for household appliance use like coffee machine, electrical iron, steam cleaner
 3. Applied to low pressure system, open from 0 bar

Medium: Air, Water, Steam, Oil, etc.
 Temperature: VITON Seal: -10°C to 150°C
 Pressure: 55 series: 0.0Mpa~2.0Mpa
 Port Size: 1/8" and other
 Port Thread: BSPP, BSPT, NPT
 Orifice(mm): 1.0, 1.2, 1.6, 2.0, 2.6, 2.8
 Voltage: DC-12V, 24V
 AC-24V, 120V, 240V/60Hz; 110V, 220V/50Hz
 Tolerance: ±10%
 Coils: SA11B, 9VA(AC), 8W(DC), Ip65, 100%ED
 Material: Body - Brass
 Seal - VITON
 Plunger - Stainless Steel 430F
 Stop - SS403F
 Springs - SS 304

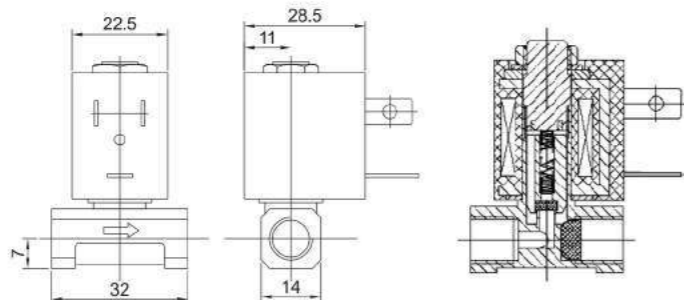


Determine Valve Body Code

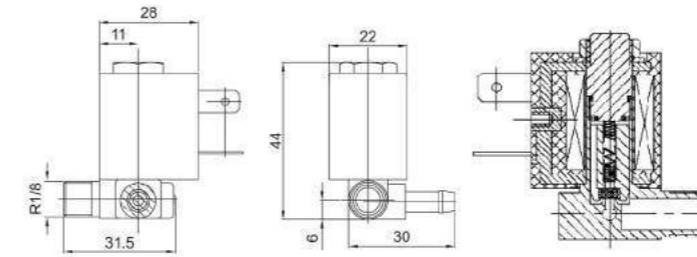
Type	Orifice mm	Port size	Port thread	Body	Seal	Voltage
5503, 5515 5523, 5524 5525, 5531	10 - 1.0 20 - 2.0 12 - 1.2 26 - 2.6 16 - 1.6 28 - 2.8	1 - 1/8' 2 - 1/4' 3 - 3/8' 4 - 1/2'	G - G/BSP N - NPT thread	B-Brass	V - VITON	1.AC220V 2.DC24V 3.AC110V 4.DC12V 5.AC24V 6.DC6V



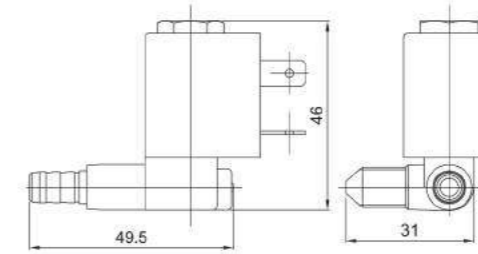
5503-01 NC
 Media: Water, air, oil, hot water etc.
 Media TEP.: -10°C~150°C
 Body: Brass
 Pre.:0~10.0 Bar
 Port: G1/8" or NPT1/8"
 Orifice: DN2.0
 Seal: VITON



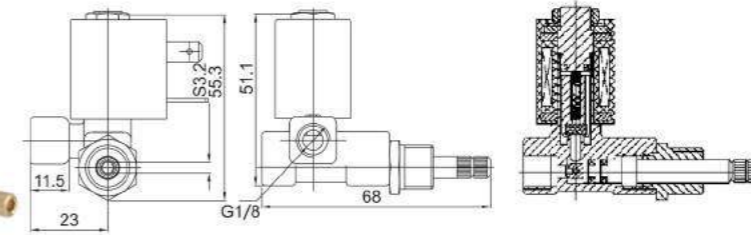
5503-02
 Media: Water, air, oil, hot water etc.
 Media TEP.: -10°C~150°C
 Body: Brass
 Pre.:0~6.0 Bar
 Port: G1/8" or NPT1/8"
 Orifice: DN2.0, 2.8
 Seal: VITON



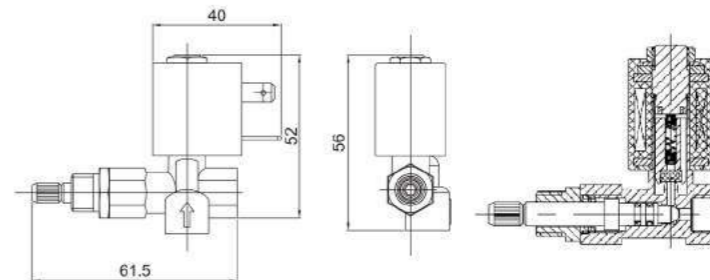
5523
 Media: Water, air, oil, hot water etc.
 Media TEP.: -10°C~150°C
 Body: Brass
 Pre.:0~10.0 Bar
 Port: Inlet: R1/8" or NPT1/8"
 Outlet: Φ6.2mm outer dia.
 Orifice: DN2.3
 Seal: VITON



5524-03
 Media: Water, air, oil, hot water etc.
 Media TEP.: -10°C~150°C
 Body: Brass
 Pre.:0~10.0 Bar
 Port: Inlet: G1/8" or NPT1/8"
 Outlet: Φ7.5mm outer dia.
 Orifice: DN2.3
 Seal: VITON



5531-03
 Media: Gas etc.
 Media TEP.: -10°C~150°C
 Body: Brass
 Pre.:0~6.0 Bar
 Port: G1/8" or NPT1/8"
 Orifice: DN2.8
 Adjustable orifice: DN0.75, 1.0, 1.35
 Seal: VITON



5531-04
 Media: Gas etc.
 Media TEP.: -10°C~150°C
 Body: Brass
 Pre.:0~6.0 Bar
 Port: G1/8" or NPT1/8"
 Orifice: DN2.0
 Seal: VITON

- Characteristic: 1. Direct acting miniature construction at low power consumption
2. With TUV certificate for household appliance use like coffee machine, electrical iron, steam cleaner
3. Applied to low pressure system, open from 0 bar

Medium: Air, Water, Steam, Oil, etc.

Temperature: VITON Seal: -10°C to 150°C

Pressure: 55 series: 0.0Mpa~2.0Mpa

Port Size: 1/8" and other

Port Thread: BSPP, BSPT, NPT

Orifice(mm): 1.0, 1.2, 1.6, 2.0, 2.6, 2.8

Voltage: DC-12V, 24V

AC-24V, 120V, 240V/60Hz; 110V, 220V/50Hz

Tolerance: ±10%

Coils: SA11B, 9VA(AC), 8W(DC), Ip65, 100%ED

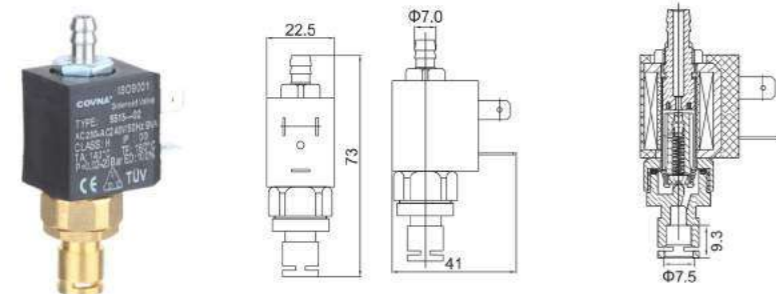
Material: Body - Brass

Seal - Silicon Rubber

Plunger - Stainless Steel 430F

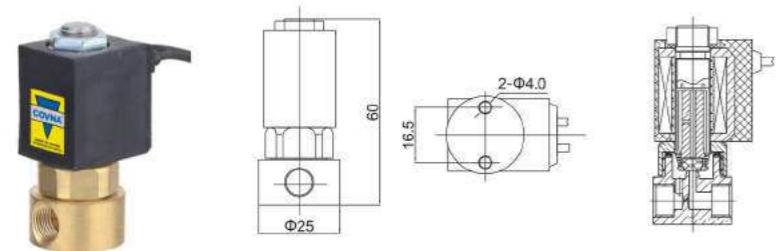
Stop - SS403F

Springs - SS 304



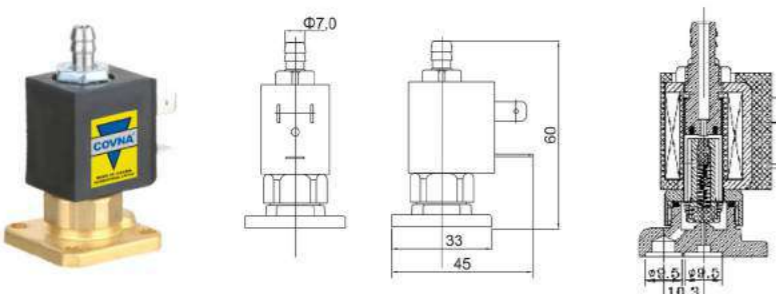
5515-02 2Way NO

Media: Water, air, oil, hot water etc.
Media TEP: -10°C~150°C
Body: Brass
Pre.:0~20.0 Bar
Port: Body: PTFE pipe with or 4.0mm outer dia.
Top: 7.0mm outer dia.
Orifice: DN1.5
Seal: VITON



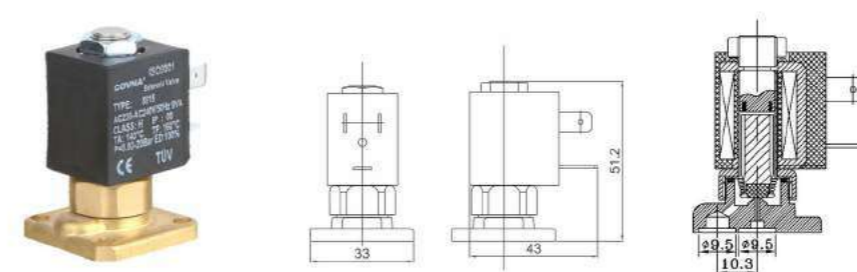
5515-03

Media: Water, air, oil, hot water etc.
Media TEP: -10°C~150°C
Body: Brass
Pre.:0~10.0 Bar
Port: G1/8" or NPT1/8"
Orifice: DN2.5
Seal: VITON



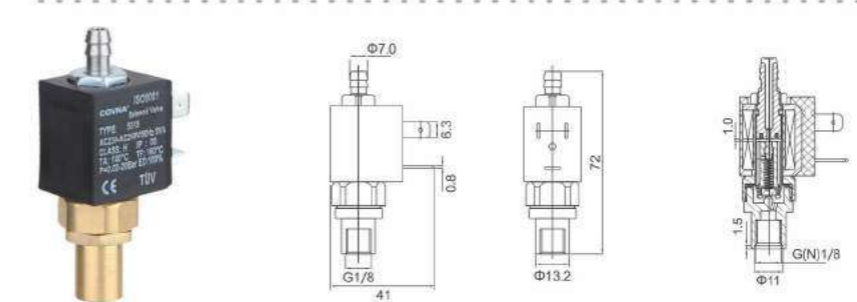
5515-04 3Way

Media: Water, air, oil, hot water etc.
Media TEP: -10°C~150°C
Body: Brass
Pre.:0~20.0 Bar
Port: Flange bracket
Orifice: DN1.0, 1.5, 2.0
Seal: VITON



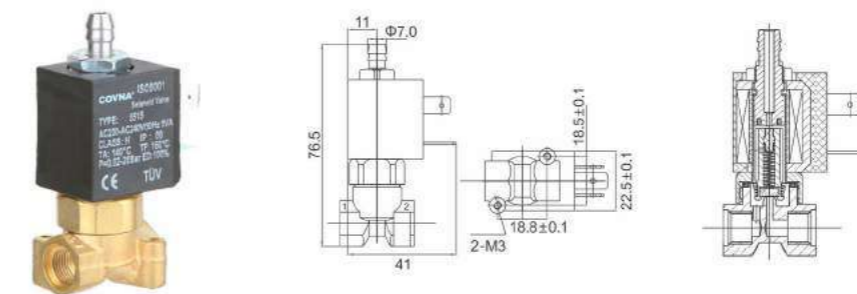
5515-05

Media: Water, air, oil, hot water etc.
Media TEP: -10°C~150°C
Body: Brass
Pre.:0~20.0 Bar
Port: Flange bracket
Orifice: DN1.0, 1.5, 2.0
Seal: VITON



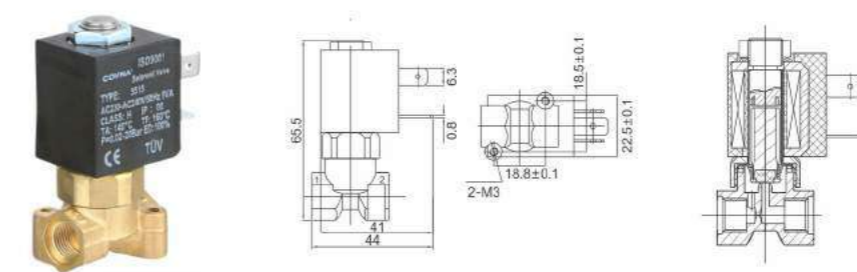
5515-06

Media: Water, air, oil, hot water etc.
Media TEP: -10°C~150°C
Body: Brass
Pre.:0~20.0 Bar
Port: G1/8" or NPT1/8"
Orifice: DN2.0
Seal: VITON



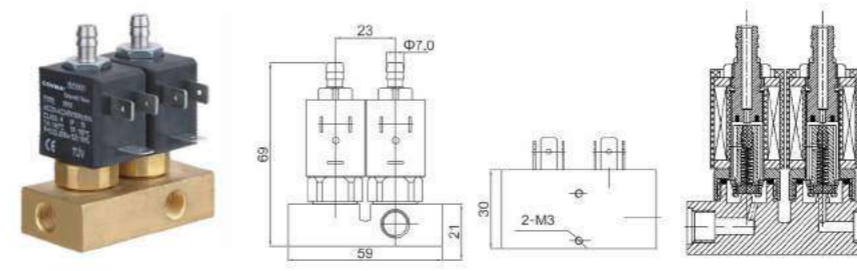
5515-07 3Way

Media: Water, air, oil, hot water etc.
Media TEP: -10°C~150°C
Body: Brass
Pre.:0~20.0 Bar
Port: Body: G1/8" or NPT1/8"
Top: 7.0mm outer dia.
Orifice: DN1.0, 1.2, 1.5
Seal: VITON



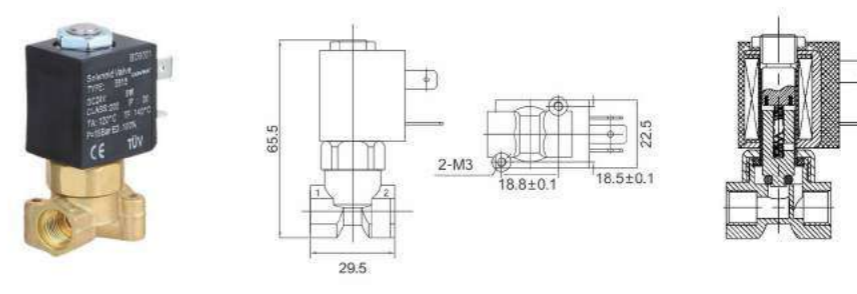
5515-08

Media: Water, steam, hot water etc.
Media TEP: -10°C~150°C
Body: Brass
Pre.:0~20.0 Bar
Port: G1/8" or NPT1/8"
Orifice: DN1.0, 1.5, 2.0, 2.6
Seal: VITON



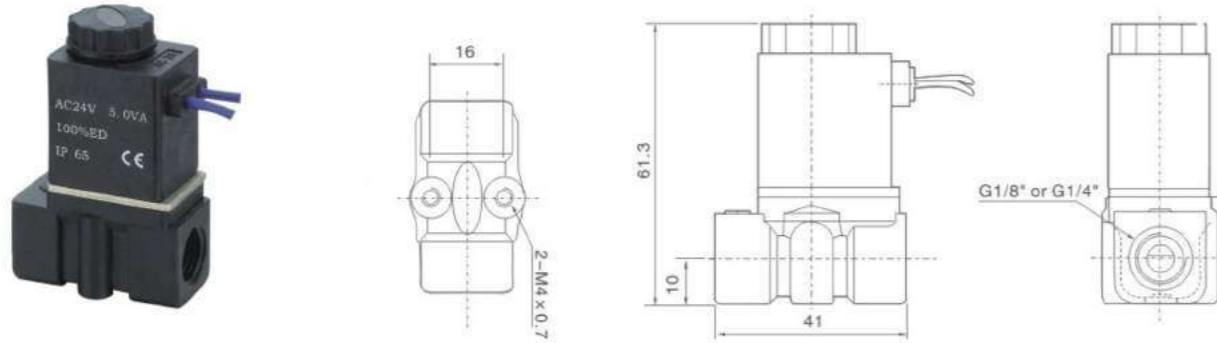
5515-09

Combination valve
Media: Water, air, oil, hot water etc.
Media TEP: -10°C~150°C
Body: Brass
Pre.:0~15.0 Bar
Port: Inlet & body: G1/8" or NPT1/8"
Top: 7.0mm outer dia.
Orifice: DN1.0
Seal: VITON



5515-10

Media: Water, air, oil, hot water etc.
Media TEP: -10°C~150°C
Body: Brass
Pre.:0~0.05 Bar
Port: G1/8" or NPT1/8"
Orifice: DN6.0
Seal: VITON



Specification

Model	2P025-06	2P025-08
Working Medium	Air, Water, Oil, Gas	
Motion Pattern	Direct Drive Type	
Type	Normal Close Type	
Aperture of Flow Rate(mm)	2.5	
CV Value	0.23	
Port Size	G1/8"	G1/4"
Operation Fluid Viscosity	20 CST (Below)	
Working-pressure	0~0.7MPa	
Max. Pressure Resistance	1.0MPa	
Operating Temperature Range	-5~+80°C	
Voltage Range	±10%	
Material of Body	Engineering Plastic Steel	
Material of Oil Seal	NBR EPDM or VITON	



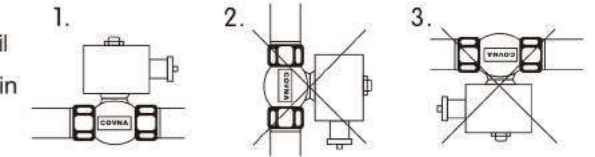
Specification

Model	2W025-06	2W025-08	2W040-10	2WH012-06	2WH012-08	2WH020-10
Working Medium	Air, Water, Oil, Gas					
Motion Pattern	Direct Drive Type					
Type	Normal Close Type					
Aperture of Flow Rate(mm)	2.5		4	1.2		2
CV Value	0.23		0.60	0.05		0.15
Port Size	G1/8"	G1/4"	G3/8"	G1/8"	G1/4"	G3/8"
Operation Fluid Viscosity	20 CST (Below)					
Working-pressure	Air, Water, Oil, Gas: 0~0.7MPa			Air, Water, Oil: 0~2.0MPa		
Max. Pressure Resistance	1.0			3.5		
Operating Temperature Range	-5~+80°C					
Voltage Range	±10%					
Material of Body	Brass					
Material of Oil Seal	NBR EPDM or VITON					

Safety instructions before starting

1. Check the compatibility of the medium used, temperature and other operating conditions with the materials and specifications of the product. It is the responsibility of the user to select the right product for the application.
2. Solenoid valves can only be used with clean liquids or gases. It is recommended to install a filter before the solenoid valve.
3. Never exceed the limits for pressure, temperature or voltage as indicated on the product and/or in the technical documentation.
4. The temperature of a solenoid valve coil can rise during operation; this is normal. Overheating will cause smoke and a burning smell. In this case, the power supply must immediately be disconnected.

It is recommended to install the solenoid in vertical position with the coil facing upwards. This reduces the probability of the collection of debris in the solenoid valve.



Installation Instruction

1. The solenoid valve can be used in combination with clean liquids or gases. Make sure that the pipe may contain dirt before installing the valve. It is recommended to install a filter (500 μm) before the solenoid valve.
2. Be aware of the direction of flow of the medium when installing the valve. Solenoid valves with an arrow on the housing must be connected in the indicated direction. The pipes on both sides of the valve must be securely fastened. Use a wrench for both valve and pipe while tightening to prevent unnecessary stresses in the system. The solenoid valve must be fixed via the provided connection points. Only exert force at the designated areas on the body such as the hexagon; never to the coil or armature. Avoid vibration in the pipes. Use a suitable sealant for threaded connections of the solenoid valve. Avoid the entry of thread sealing material in the valve, this can lead to malfunctioning of the valve.

Common faults and inspection, troubleshooting

Problem	Solution
Valve fails to operate	1. Check electrical supply with voltmeter. Voltage must agree with nameplate rating.
	2. Check coil with ohmmeter for shorted or opened coil.
	3. Make sure that pressure complies with nameplate rating.
The valve is sluggish or inoperative - electrical supply and pressure check out	1. Disassemble valve; clean out extraneous matter. The plunger must be free to move without binding.
	2. If a diaphragm design, check the diaphragm for tears and/or clogged or obstructed bleed hole or pilot orifice. Torn diaphragm must be replaced.
	3. Check all springs. If broken, replace.
External leakage at sleeve flange or joint between body and cover	Check that the sleeve and/or cover screws are torqued to specifications. If leakage persists, replacement of diaphragm assembly or flange O-ring may be required and/or bodies or covers with damaged sealing surfaces may have to be replaced.
External leakage at speed control device	Check O-rings for damage and replace if necessary.
Internal leakage	1. Disassemble valve, remove extraneous matter, and clean parts in a mild soap and water solution.
	2. Examine diaphragm sealing surface for dirt. Remove all foreign particles. Examine orifice for nicks. Damaged parts must be repaired or replaced.
	3. Check plunger return spring. Replace if broken.
Chatter or buzz sound when energized	1. Remove power from the coil.
	2. Inspect the plunger and sleeve for excessive wear or contamination.