

Advantages :

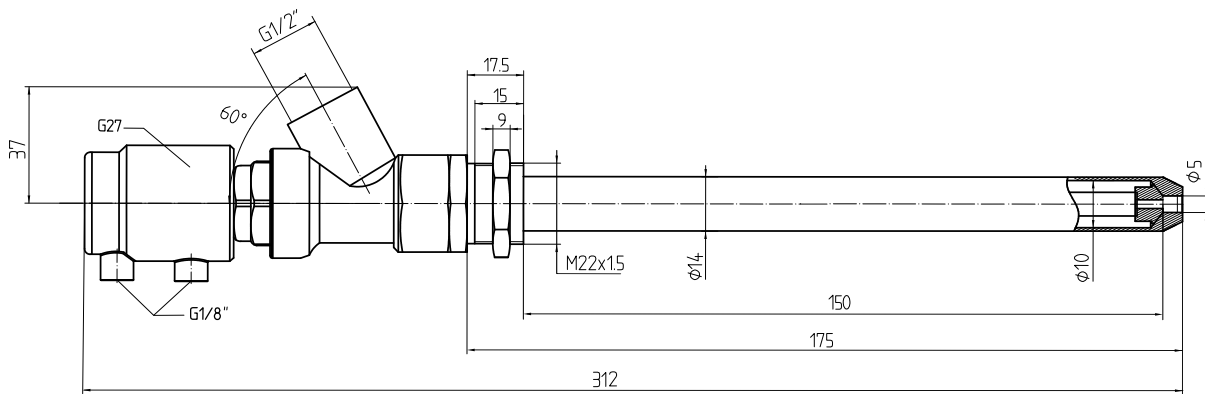
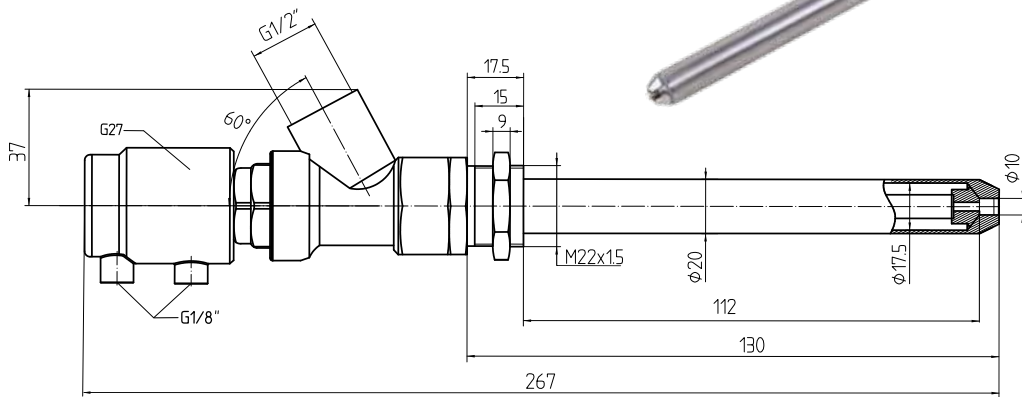
- This valve is widely used on drinks filling machinery.
- The long filling gun is specially designed for high viscosity fluid.
- Fast filling accurate and steady performance.
- Compact design could be assembled in a small space.
- No dripping during working because of special sealing design.

Technical Parameters

- Spring Acting (with Spring): Fluid Pressure: 0-7bar; control Pressure: 3.8bar~4.2bar
- Double Acting (no Spring): Fluid Pressure: 0-7bar; control Pressure: 3bar~3.5bar
- Body: Stainless Steel 304, 316
- Sealing Material: PTFE
- Fluid Temperature: -10°C~+120°C
- Ambient temperature: -20°C~+60°C
- Working pressure: 1.6 MPa



Outline Dimensional Drawing



SOLENOID VALVE



ELECTRIC VALVE



PNEUMATIC VALVE



SPECIALIZED FLUID CONTROL VALVE MANUFACTURER

COVNA Headquarter:

Building C, Longchang Micro-Chuangyuan, No. 26 Hantang Street,
Dongcheng District, Dongguan City, China, 523000

E-mail: sales@covnavalve.com

Tel: 86-769-22456666 22763199

Fax: 86-769-22825120

www.covnavalve.com

www.covnaactuator.com