

Characteristic: 1. Direct acting mini construction at low power consumption.

2. Compact design to save the space
3. Applied to low pressure system, open from 0 bar

Medium: Air, Water, Steam, Oil, etc.

Temperature: NBR Seal: 0°C to 80°C
EPDM Seal: -5°C to 100°C
VITON Seal: -5°C to 120°C
PTFE Seal: -10°C to 180°C

Pressure: 0.0Mpa~1.6Mpa

Port Size: 1/8", 1/4", 3/8"

Port Thread: NPT, G

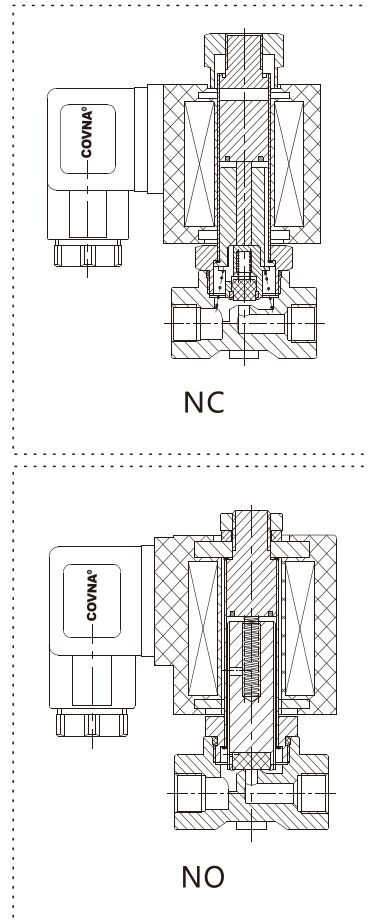
Orifice(mm): 1.0, 1.6, 2.5, 3.0, 4.0, 5.0, 6.0

Voltage: DC-12V, 24V, 36V
AC-24V, 120V, 240V/60Hz; 110V, 220V/50Hz

Tolerance: ±10%

Coils: S91B, 22VA(AC), 17W(DC), Ip65, 100%ED
S92B, 22VA(AC), 17W(DC), Ip65, 100%ED

Material: Body - Brass or stainless steel
Seal - VITON, NBR, EPDM
Armature Tube - Stainless Steel 304
Plunger - Stainless Steel 430F
Stop - SS 403F
Springs - SS 304
Shading Rings - Stainless Steel 304



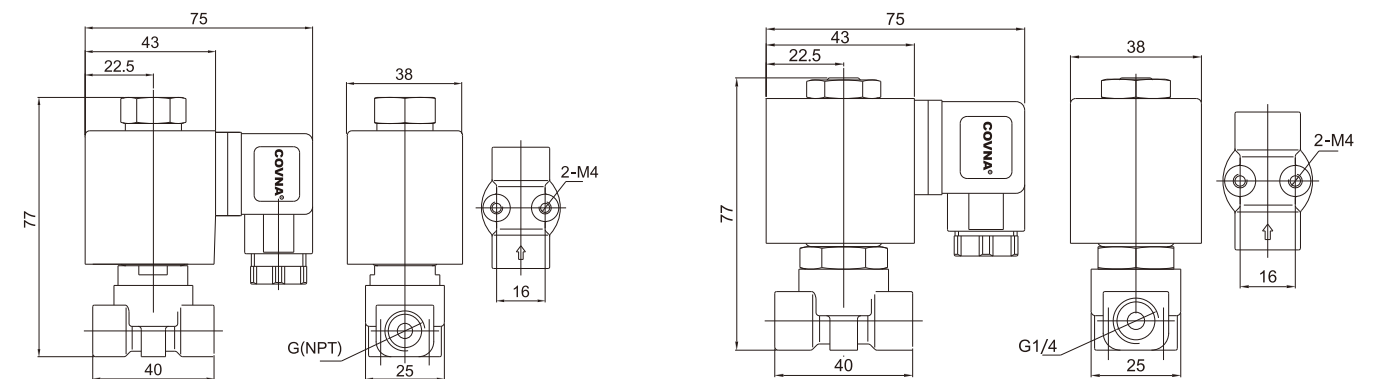
Coils Parameters

Model	Picture	Voltage	Motor Power	Protection Class	Outline Size Drawing
S91B		1.AC220V 2.AC110V 3.AC24V 1.DC24V 2.DC12V 3.DC6V <i>The voltage can be customized</i>	22VA17W	IP65	
S92B		1.AC220V 2.AC110V 3.AC24V 1.DC24V 2.DC12V 3.DC6V <i>The voltage can be customized</i>	22VA17W	IP65	

Technical Parameters

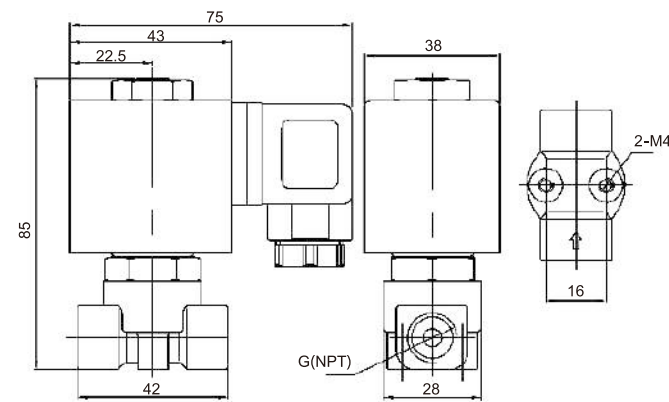
Size	Port Size	Orifice mm	Cv	Min Pressure	Max Pressure	Operating Temperature	Weight
HK02-06	1/8"	1.0	0.10	0.00MPa	2.5MPa	NBR : 0°C ~ 80°C EPDM :-5°C ~ 100°C VITON:-5°C ~ 120°C PTFE : -10°C ~ 180°C	
HK02-06	1/8"	1.6	0.11	0.00MPa	1.6MPa		
HK02-06	1/8"	2.5	0.18	0.00MPa	1.6MPa		
HK02-06	1/8"	3.0	0.30	0.00MPa	1.6MPa		
HK02-06	1/4"	2.5	0.18	0.00MPa	1.6MPa		
HK02-08	1/4"	3.0	0.30	0.00MPa	1.6MPa		
HK02-08	1/4"	4.0	0.5	0.00MPa	1.6MPa		
HK02-10	3/8"	2.5	0.18	0.00MPa	1.6MPa		
HK02-10	3/8"	3.0	0.30	0.00MPa	1.6MPa		
HK02-10	3/8"	4.0	0.5	0.00MPa	1.6MPa		
HK02-10	3/8"	5.0	0.71	0.00MPa	1.6MPa		
HK02-10	3/8"	6.0	0.8	0.00MPa	1.6MPa		

Outline Size Drawing



HK02-1/8G(N)

HK02-1/4G(N)



HK02-3/8G(N)

