

**Characteristic:** with timer, automatically drain at settled time. Widely used in filter machine, separator, air tank, dripping feet and other air compressor system parts. Drain lasting time and separation time is adjustable.

**Medium:** Air, water

**Fluid Temp:** NBR: -5°C ~ 80°C

EPDM: -5°C ~ 100°C

VITON: -5°C ~ 120°C

**Pressure:** 0-1.6 Mpa

**Port size:** 1/2"

**Thread:** G thread

**Orifice:** 3.0mm

**Voltage:** DC-12V, 24V

AC-24V, 120V, 240V/60HZ; 110V, 220V/50HZ

**Tolerance:** ±10%

**Coil:** S11B, 24VA (AC), 18W (DC), IP65, 100%ED

**Material:** Body-Brass

Seal-NBR, EPDM, VITON

Tube-SS 304

Plunger-SS430F


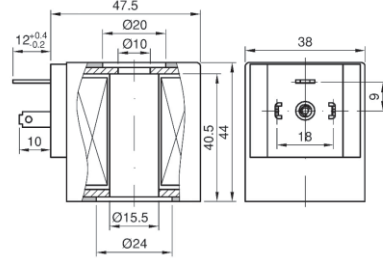
Stop-SS430F

Spring-SS304

Shading rings-red copper



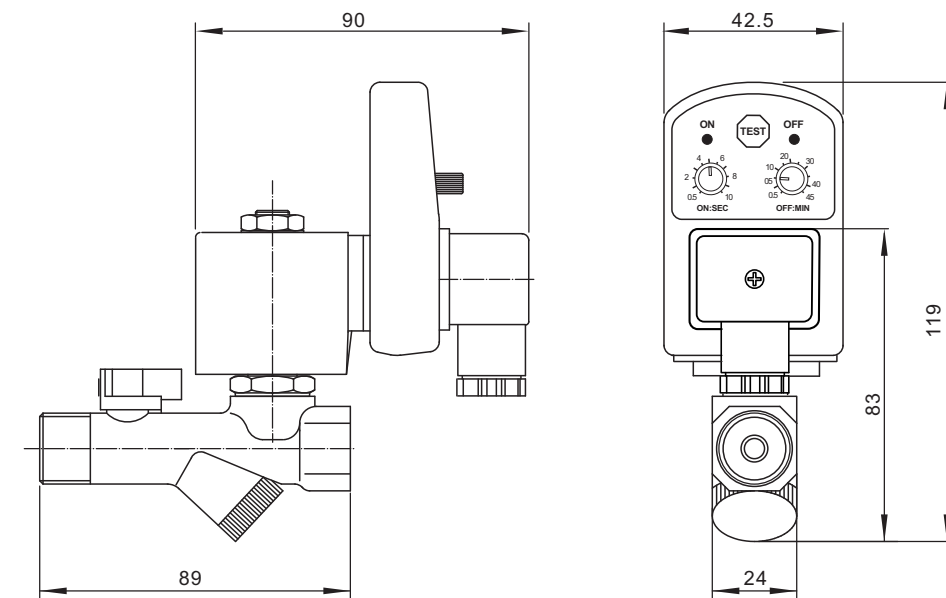
**Coils Parameters**

Model	Picture	Voltage	Motor Power	Protection Class	Outline Size Drawing
S21B		1.AC220V 2.AC110V 3.AC24V  1.DC24V 2.DC12V 3.DC6V  Special voltage can be customized	24VA18W	IP65	

**Specification of The Timer**

MODEL	KLT-R
Power Supply Voltage	24~380V AC/DC-50HZ/60Hz for "CE"Marked Timer
The Largest Current Consumption	4mA Max
Ambient Temperature	-10°C~+50°C
Water Proof Grade	IP65-EN 60529
Shell Material	Flame Retardant Abs Plastic
Time Interval(OFF)	From 0.5 to 10s.
Discharge Time (NO)	From 0.5 to 45min
Indicator Lamp	Yellow LED
Manual Test Button	Test
Electrical Connection	DIN43650A

**Outline Size Drawing**



**installation instructions**

- Two position, two way, normal close switch, magnetic solenoid water valve
- Can be installed any angle, but it is a good choice when the horizontal tube keep upward
- Used to control automatically the liquid and gas in the pipeline