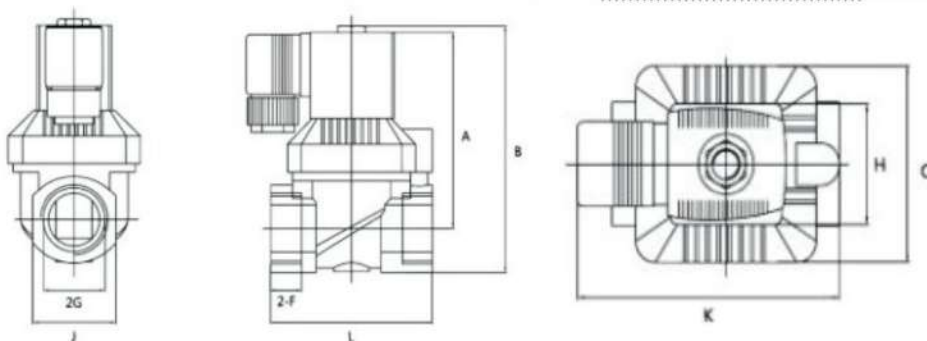
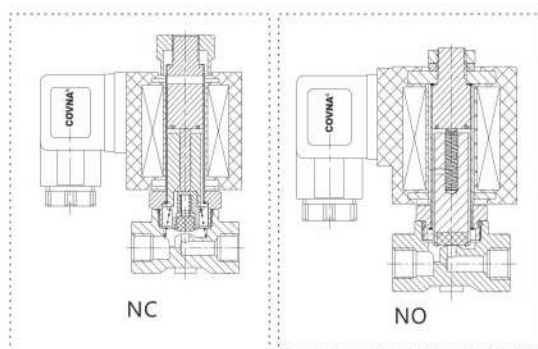


- Characterist: 1.Special structure reduces the transient pressure to prevent water hammer phenomena which will protect the valve and pipe system
2.Life span can be at 1 million cycles
3.Low noise,stable work
4.Opened from low pressure with large flow
5.Change the piloted head,can be used with explosion-proof coil Ex mb I/II T4
- Medium: LNG,LPG,Neutral gas or liquid
- Fluid temperature: VITON:-10 C-150 C
PTFE:-20 C-180 C
- Ambient temperature: -10 C-50 C
- Pressure: 0.03-1.6Mpa
- Orifice: 1/4", 3/8",1/2",3/4",1",1 1/4",1 1/2",2"
- Port size: 8mm,10mm,13mm,14mm,20mm,25mm,35mm,40mm,50mm
- Thread: BSPP,BSPT,NPT,UNF
- Voltage: DC12V DC24V
AC24,AC110V,AC220V,AC380V 50Hz/60Hz
- Voltage range: ±10%
- Coil: BD-A-3,IP65,100%ED
- Body material: Brass or Stainless Steel
- Seals: VITON、PTFE



Type	G	C	F	L	J	A	B	H	K
HK2231015B-15	1/2"	45	16	52	27	82	96	40	80
HK2231015B-20	3/4"	45	16	63	31	82	96		90
HK2231015B-25	1"	65	18	82	41	96	117		132
HK2231015B-35	1-1/4"	96	20	132	58	112	145		160
HK2231015B-40	1-1/2"	96	20	132	58	112	145		
HK2231015B-50	2"	111	22	160	70	125	166		

HK2231015B Series,BD-A-3 Coil

Type	Port Size (mm)	Orifice	Pressure	Ambient Tem	Liquid Tem	CV (m ³ /h)	Coil Power	
			(Mpa)	(°C)	(°C)		AC (VA)	DC (W)
HK2231015B-08	8	1/4"	0.03-1.6	-10°C-50°C	VITON:-10°C-150°C PTFE:-20°C-180°C	2	14	8
HK2231015B-10	10	3/8"				3.6		
HK2231015B-15	15	1/2"				8.3		
HK2231015B-20	20	3/4"				11		
HK2231015B-25	25	1"				25		
HK2231015B-35	35	1-1/4"				30		
HK2231015B-40	40	1-1/2"				45		
HK2231015B-50	50	2"						