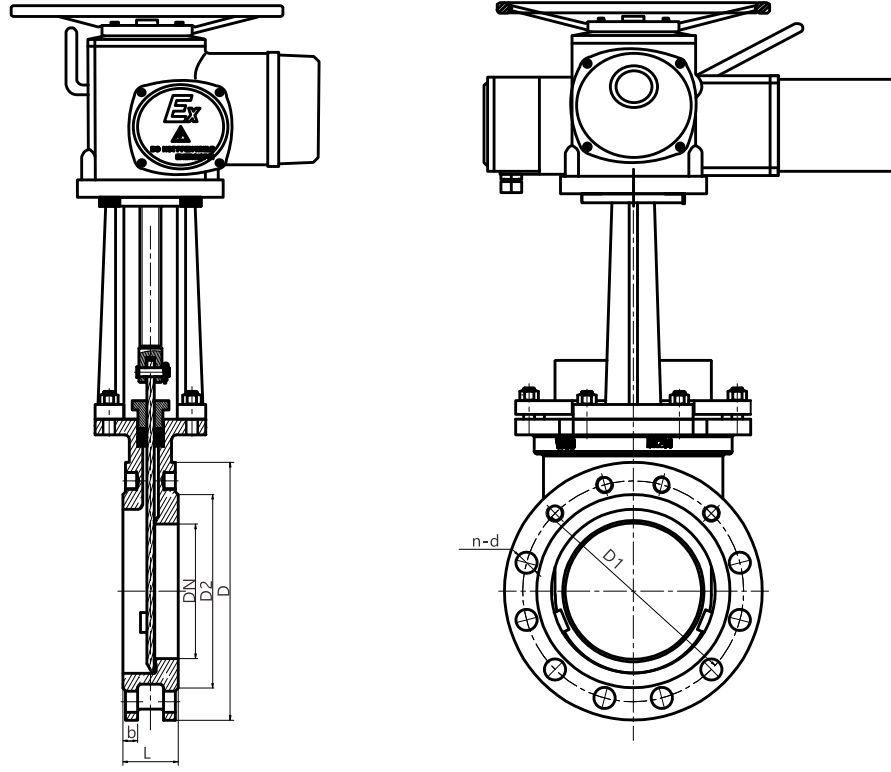


REVISIONS				
ZONE	REV	DESCRIPTION	DATE	APPROVED



Size	2"	2-1/2"	3"	4"	5"	6"	8"	10"	12"	14"	16"	18"	20"
DN	50	65	80	100	125	150	200	250	300	350	400	450	500
D	160	180	195	215	245	280	335	390	440	500	565	615	670
D1	125	145	160	180	210	240	295	350	400	460	515	565	620
D2	100	120	135	155	185	210	265	320	368	428	482	532	585
N-d	4-16	4-16	8-16	8-16	8-16	8-20	8-20	12-20	12-20	16-20	16-24	20-24	20-24
b	18	18	18	18	18	23	23	23	23	23	27	27	27
L	50	50	50	50	50	60	60	70	80	90	100	110	114

NO.	Item	Qty	Material	Remark
10	Multi-turn electric actuator	1		
9	Bracket	1	A3	
8	Valve Stem	1	GB/T1220-92-2Cr1	
7	Screw	4	A3	
6	Nut	1	A3	
5	connecting yoke	1	WCB	
4	Gland	1		
3	Disc	1	304	
2	Seat	1	PTFE	
1	Body	1	WCB	

TOLERANCE UNLESS OTHERWISE SPECIFIED
 DECIMALS: .0 ± .1
 .00 ± .01
 .000 ± .005
 ANGLES: MACH. ± 1°00'
 FORMED ± 2°
 FRACTIONS: ± 1/16"

APPROVED BY BOND
 CHECKED BY JULIA
 DRAWING BY C L

科威納 COVNA VALVE COVNA GROUP CO.,LTD

TITLE: Electric knife gate valve 1.0MPa

FSCM: DWG NO. REV A

SIZE mm SCALE 1:1 SHEET SHEET 1 OF 1